

Auper Electronic Controls Inc

# Eclipse 784 S3

User guide





## Installation

1. Install your Eclipse system under the bar, set back a little to protect it from liquid spills. Avoid installing it above a sink where steam could escape. The case of the Eclipse system is glued with silicone but this does not constitute a guarantee of total sealing.
2. Apply a bead of silicone between the bottom of the bar and the top of the unit to prevent liquids from seeping through the top all the way to the back and reaching the connectors.
3. Install the ring holder and ring connector box (also recessed) on the right side of the system (most people are right-handed). Soda dispensers should be on the left with the spout not aimed directly at the front of the unit.
4. Install the aluminum bracket loosely first and pass the ring, power and other wires you want to connect to the system through it. Connect the ring and its extension to the "Ring" port of the system. Screw the connector firmly with a small screwdriver. **A loose connector can cause operational problems and even cause damage.**
5. If you are connecting the Eclipse to a serial printer or computer, connect the communication cable and test it before installing the device under the bar.
6. Connect the power cable to the 12 Volt DC 2A transformer. Use a battery-powered UPS (UPS Backup) in areas where power outages are frequent.



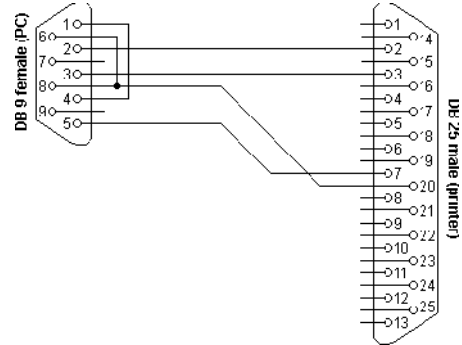
### CONNECT THE ECLIPSE TO A SERIAL PRINTER

Use the RS-232 port to connect the printer. Normally the cable is supplied with the printer otherwise follow the diagram below.



#### Printer Settings

- Baud rate: Match with Eclipse baud rate selection
- Parity: none
- Stop bit: 1
- Handshaking: Xon/Xoff
- Print columns: 40



### CONNECTING THE ECLIPSE TO A COMPUTER

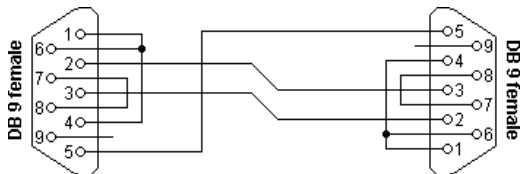
#### Network (TCP/IP) connection

You can connect the Eclipse 784 to your computer network to use with the Liquor manager Live software. The computer and liquor systems must be connected to the same computer network. The software runs on Windows 10 or 11. The software installation and connection to your liquor system(s) will be performed by our technician by remote using remote log in.

#### Serial connection

You can connect the Eclipse to a computer to use the Liquor Manager software (sold separately). Use an RS-232 null modem cable (P/N: 70-010).

#### RS-232 Null modem cable pin-out:



RS-232 null modem cable

- The RS-232 cable cannot exceed 30 M (100 ft).

## USB to serial RS-232

Not all new computers come with RS-232 ports. A USB/RS-232 converter will do the job just fine. A driver (driver) is supplied with the converter and must be installed before launching the software. Windows will assign a serial port automatically. You can find the selected port at the following link: [Control panel/system/device manager/ports \(Com & LPT\)](#)



## Interface to a cash register or POS terminal

Some cash registers or POS systems have a built-in liquor control system interface. It is usually the Berg Generic or Berg basic protocols. The Eclipse comes equipped with those protocols.

You can interface the Eclipse to a POS using the RS-232 port. Use an RS-232 null modem cable (P/N: 70-010).



## RS-422 COMMUNICATION

You will use the RS-422 port for two reasons:

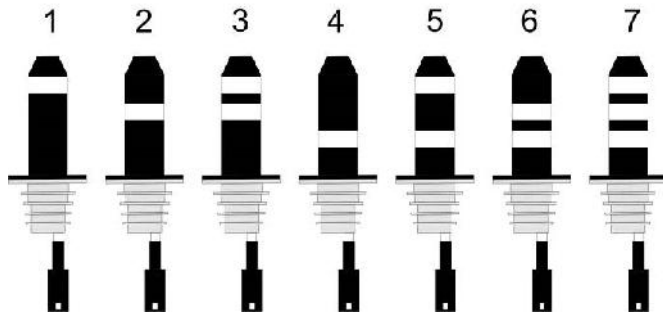
- To connect the Eclipse to a device installed more than 30M (100 ft).
- To connect more than one system to the same computer, POS or printer.
- Use a two twisted pair straight RS-422 cable between the meter and the AP821 converter (P/N: 70-041).

## RS422 TO RS232 CONVERSION

When using the RS-422 port of the Eclipse, you will need to convert the RS-422 signal to RS-232 before connecting to the computer, POS or printer. The AP821 converter is equipped with eight RS-422 ports and an RS-232 output that allows you to connect up to 8 devices to the same RS-232 port.



## CODED POURERS



Clean your POURERS as soon as you remove them from empty bottles.

Do not use soap or put in the dishwasher.

Use the magnetic cap tool to open the pourer when you push it into a full bottle. This will prevent pressurizing the inside of the bottle and prevent liquid from going up the air intake straw and exiting through the vent.



## NYLONS

If the nylon provided with the pourer is too small, the liquid will escape between the nylon and the neck of the bottle when you invert the pourer in the ring. Replace it with the larger model. Conversely, if the nylon is too tight, it will be difficult to remove from the bottle, leaving the nylon in the bottleneck and the breather tube to fall at the bottom of the bottle. Cut the top fins to facilitate insertion.



### Shrink Seals

Slip the seal over the cap. Hold the seal against the top of the cap and apply heat evenly around the neck with a commercial heat gun.



### Elevated pourer option

Elevated pourers can be used on very large bottlenecks. The lifted pourers provide more clearance for the ring and the hand. It comes with a very wide nylon to fit on such bottles as Patron.

Shrink seals that fit the large bottlenecks and elevated pourers are available.



## PROGRAMMING

- To access programming modes, press and hold the S button and apply your manager ibutton key (1 of 6).
- To exit programming, apply your key a second time.
- To change programming mode, press the M button. You cannot go back. To return, cycle through the modes by pressing M.

### MODE 1: POUR SIZE TIMER

The values below will depend on the brand of pourers you are using. Some pour faster than others. The faster the pourer, the lower the value of the "timer". You must check the quantities served according to your pourer and adjust the values if necessary.

POUR SIZE TIMER: TIMER 1R = 33
-----------------------------------

For an Auper pourer a TIMER value of 32 will serve a 1oz (30ml) dose for regular spirits. Products with higher viscosity require higher values.

- To change the pourer number and format, press the S button to go up and the R button to go down.
- Pour into a graduated measuring cup to assess the doses obtained.
- Press the L button to increase the timer value.
- Press the SP button to decrease the timer value.
- Press the M button to change mode.

### MODE 2: SAME TIMER AS 1

If all your alcohols are of equal viscosity, you can adjust the values for cap number 1 for example and copy the values for number 1 to all the other caps. Be sure, however, to leave the previous mode on the plug number you want to copy.

SAME TIMER AS 1?
------------------

- Press the SP button to copy the timer values from the displayed plug number to all other plugs.
- Press M to change mode.



### Mode 3: POS INTERFACE

If you are not connecting the Eclipse system to your POS system, Liquor manager Live software or a cash register, make sure this mode is set to POS DISABLED and jump directly to programming mode No. 6. The following modes are not available. They only are available when the interface mode is enabled.

POS INTERFACE:  
DISABLED

- Press the SP button to change between POS ENABLED/DISABLED.
- Press the M button to change mode.

#### AVAILABLE PROTOCOLS:

- Press the L button to change the protocol used.

(1) Auper

(2) Berg Generic

(3) Berg Basic

(4) Veloce

(5) Micros NALDS

(6) Micros ILDS

#### PLU table

The PLU table can be modified using the Liquor Manager software.

Code	PLU S	PLU R	PLU L	PLU SP
1	0100	0101	0102	0103
2	0200	0201	0202	0203
3	0300	0301	0302	0303
4	0400	0401	0402	0403
5	0500	0501	0502	0503
6	0600	0601	0602	0603
7	0700	0701	0702	0703

### MODE 4: ACK TIME OUT

Used to adjust the maximum waiting time for a response from the POS following a request to serve a dose sent by the Eclipse. This delay is necessary to prevent the system from spending too much time waiting in cases where the POS does not respond.

ACK TIMEOUT = 4 SEC

- Press the S button to decrease the delay.
- Press the R button to increase the delay.
- Press the M button to change mode.

4-DIGIT PLUs = N

### MODE 5: PLU FORMAT

To select the format for sending the PLU by the Eclipse to the POS.

For Example: PLU 0651

If 4-digit PLUs is set to YES: the PLU will be sent as is 0651.

If 4-digit PLUs is set to NO: leading zeros will be removed and the PLU sent will be 651.

- Press the SP button to change between N/Y (Yes or No).
- Press the M button to change mode.

### Mode 6 : 1-Oz COEFFICIENT

K01 = 00

This mode is only used with Veloce's Brand ID interface. It is used to identify the basic timer for a 1 OZ (30 ml) shot for different viscosities. If you are not using this interface, press M.

### MODE 7: PC port selection

This mode is used to identify the port used to connect the system to a computer (PC) to use the Liquor manager software.

PC---> COM RS-232

- Press S or R button to change between Network, Wifi (currently not available), RS-232 and RS-422.
- Press the M button to change mode.

### MODE 8: POS Interface port selection

This mode is used to identify the port used to connect the system to a POS system, cash register or computer (PC) used to interface with the Liquor manager Live software.

```
POS---> COM RS-232
```

- Press S or R button to change between Network, Wi-Fi (currently not available), RS-232 and RS-422.
- Press the M button to change mode.

### MODE 9: Printer port selection

This mode is used to identify the port used to connect the system to a printer.

```
PRINTER---> COM RS-232
```

- Press the S or R button to switch between RS-232 and RS-422.
- If you are connecting the Eclipse to a serial printer using the RS-232 port, set to RS-232.
- If you connect one or more Eclipses to a serial printer using the RS-422 port, set to RS-422.
- Press M button to change mode.

### MODE 10: BAUD RATE

- Press the S or R buttons to toggle between 2400 bps, 9600, 19.2K, 38.4K, 57.6K or 115.2 kbps.
- Press the M button to change mode.

```
BAUD RATE:  
9600 BPS
```

This mode establishes the communication speed between the Eclipse and other devices (**must match**).

### MODE 11: PRICE SETTING

The price field is used on the display and for report printing. You can put a different price for each dose of each cap.

```
PRICE SETTING:  
PRICE 7R 04.75
```

- To change the cap and format number, press the S button to go up and the R button to go down.
- Press the L button to move the cursor to the left.
- Press the SP button to change the value (0 to 9).
- Press the M button to change mode.

### MODE 12: COPY PRICE SETTINGS

- Press the SP button to copy the PRICE values of the displayed plug number to all other plugs.
- Press the M button to change mode.

SAME AS PRICE 4?

### Mode 13 : TIME

- Press the SP button to activate the clock.
- Press the R and L buttons to change the minutes.
- Press the S button to change the hour.

TIME: 00:00:00

### Mode 14 : DATE (MM/JJ/AA)

- Press the SP button to raise the year.
- Press the R and L buttons to change the days.
- Press the S button to change the month.

DATE: 01/01/98

### Mode 15: SYSTEM NUMBER

You will use the system number to identify the system on the serial printer report and to communicate with the Liquor Manager software. The number can be selected between 0 and 99. There could not be two systems with the same number on a network.

SYSTEM NUMBER 01

- Press the S or R button to change the number.
- Press the M button to switch modes.

### MODE 16: DEFAULT POUR SIZE

Set to “Enabled” to return the system to a preselected dose automatically after a period of inactivity.

RET TO DEF SIZE:  
DISABLED

- Press SP button to change between ENABLED/DISABLED
- Press the M button to change mode.

### MODE 17: DEFAULT POUR SIZE DELAY

- Press the S button to increase the delay.
- Press the R button to decrease the delay.
- Press the M button to change mode.

DEF. SIZE DELAY:  
1.5 s

### MODE 18: SETTING THE DEFAULT POUR SIZE

Use to choose the dose to which the system will automatically return.

- Press the chosen dose button (S, R L or SP)
- Press the M button to change mode.

### MODE 19: LOGIN KEY MODE

- Press the SP button to toggle between PERIOD KEY AND SERVER KEY.
- Press the M button to change mode.

LOGIN KEY MODE:  
PERIOD KEY

Each of the periods can be programmed or not with different prices. They can be used to identify a period of the day or a server.

**PERIOD KEY:** In this mode, the server applies its key (1,2 or 3) on the probe to start the system (Log in) at the beginning of its period. The system remains in operation until the key is applied to the probe a second time (Log off) or, if someone applies the key for another period (Login). All doses served will be recorded in the counters of the open period.

LOGIN KEY MODE:  
SERVER KEY

**SERVER Key:** Use only if your Eclipse system is equipped with the magnetic key option. This mode is intended for use by several people with different keys.

The bar tender must apply its key to the probe to activate the system. As the key is magnetized, it will stay in place long enough to serve. As soon as the key is removed, the system is deactivated (Idle). All doses served will be registered in the counters corresponding to the number of the key on the probe.

### MODE 20 : LOGIN/LOGOFF REPORT

Use only if you have a serial printer plugged into the system.

Set to ENABLED to print a report automatically when applying the key in Login/Log off mode. The manager must reset the counters with his key at the end of each day to start with empty counters.

LOGIN/OFF REPORT  
DISABLED

- Press the SP button to change between ENABLED/DISABLED
- Press the M button to change mode.

### MODE 21 : PERIOD/SERVER KEY

Up to three keys for each period number (or server) can be programmed into the system for a total of 9 keys that will enable the system to be activated. So, three people can have a key for period 1 for example. Write the key number that you will assign on the plastic holder to be able to recognize them easily.

PERIOD 1 KEY 2:  
000000000000

- Press the S button to change the period number (Server).
- Press the R button to change the key number for the displayed period.
- Press L to clear the displayed key number.
- Apply the new key to the probe. The code will be displayed with the word NEW in front.
- Press the SP button to assign this key to this period.

### MODE 22: MANAGER KEYS

You can program up to 6 manager keys in the system. Write the key number that you will assign on the plastic holder to be able to recognize them easily. The key code is engraved on each of them. This number will be displayed when programming the key.

MANAGER KEY 1:  
0000125B0A64

MANAGER KEY 6:  
000000000000

MANAGER KEY 1:  
KEY DELETED

- Press S or R button to change key number.
- If you lost a key, press L to erase that number.
- Apply the new key to the probe. The code will be displayed with the word NEW in front.
- Press the SP button to assign the new key to the chosen number.

If there was a power loss before registering a manager key, when power is restored, the system will display the following message: PLEASE PUT MANAGER KEY AND PRESS SP TO SAVE

MANAGER KEY 6:  
KEY ASSIGNED

- Apply the manager key to the probe and press SP to save it.
- Press the M button to change mode.

### MODE 23: QUICK POUR MODE

When this mode is DISABLED the system will complete doses even if the ring is shaken by the server. If the Quick for mode is set to ENABLED the server can interrupt a dose by shaking the ring to start another one. In all cases, the doses will be counted by the system.

QUICK POUR MODE:  
DISABLED

- Press the SP button to change between ENABLED/DISABLED
- Press the M button to change mode.

### MODE 24: AUTO-POUR MODE

When the auto-pour mode is set to ENABLED, you will be able to serve several consecutive doses separated by a programmable delay without shaking the ring. The option to shake the ring remains functional if it has been set to Enabled.

AUTO-POUR:  
DISABLED

- Press the SP button to change between ENABLED/DISABLED
- Press the M button to change mode.

### MODE 25: AUTO-POUR DELAY

Adjustment of the delay between two doses (1 to 4 seconds).

AUTO-POUR DELAY:  
1.5s

- Press the R button to decrease the delay
- Press the L button to increase the delay
- Press the M button to change mode.

### MODE 26: UNBLOCKER OFF/ON

When this mode is set to ON, the system will open the cork for a split second as soon as a cork is inserted into the ring. This option signals to the server that the stub is operational.

UNBLOCKER ON

- Press the SP button to toggle between ON and OFF
- Press the M button to change mode.

### MODE 27: BACKLIGHT

- Press the S or R button to change the brightness of the display.
- Press the M button to change mode.

### MODE 28: SAVE SETTINGS

This function saves the system configuration in an independent flash memory.

SAVE SETTINGS?

- Press the SP button to save your configuration.
- Press the M button to change mode and not save the configuration.

## MODE 29: FIRMWARE VERSION

Identification of the firmware number and CPU of the device.

- Apply your key to the probe to exit (at all times).
- Press the M button to return to the first programming mode.



## MODE D'OPÉRATION (RUN)

### MODE LOGIN/LOG OFF

The system will display SYSTEM IDLE if no key was used to login. The green light is off.

- Press one of the period keys on the probe to start. The display will change to indicate that it is ready to serve. The period number is displayed in the upper right corner and the green light is now on.
- Select the dose to be served using the S, R, L and SP buttons.
- Insert the plug into the ring. The blue light indicates that the system is ready to serve.
- Reverse to serve.
- At the end of the dose, put the ring back on the holder or serve another dose.

SYSTEM IDLE.....
------------------

No. 01	REG.	P1
Pourer 1	R	4.50

### MODE SERVER

The system will display the last event indicating the server number in the upper right corner. The green light is off.

- Apply one of the server keys to the magnetic probe. The green light will come on to indicate that the system is open.
- Select the dose to be served using the S, R, L and SP buttons.
- Insert the plug into the ring. The blue light indicates that the system is ready to serve.
- Reverse to serve.
- At the end of the dose, put the ring back on the holder or serve another dose.
- Remove the server key to shut down the system. The doses served are recorded in the corresponding bank of counters (S1, S2 or S3).

No. 01	REG.	S3
WELL	R	3.20



## TIME AND DATE DISPLAY

- Press the M button once to see the date and time.
- Press the M button to advance to the next mode.

## READING THE COUNTERS ON THE DISPLAY

The counters for the current period will be displayed.

- To change the period, apply the key of the corresponding period.
- Press the S button to step up the number and displayed format.
- Press the R button to descend.
- Press the M button to advance to the next mode.

## LOGIN/LOGOFF CLÉ DE GÉRANT

This emergency mode is used to open or close a period if you have misplaced the keys normally used. A green light on indicates that the period is active.

PERIOD NUMBER: 2 LOCKED- READY
-----------------------------------

Locked-ready indicates that the system is open (Login). The period number is indicated.

Locked-Idle indicates the last open period and that the system is closed (Logoff).

### Logoff

- Apply the manager key to the probe. The display will show Unlocked-Ready.
- Press the SP button to close the system (Unlocked-Idle).
- Apply the manager key again to confirm your choice (Locked-Idle).

### Login:

- Apply the manager key to the probe (Unlocked-Idle).
- Press the S button to activate period 1.
- Press the R button to activate period 2.
- Press the L button to activate period 3.
- Apply the manager key again to confirm your choice. (Locked-Ready: P)
- Press the M button to change mode.

## PRINTING A REPORT

- Press the M button again.
- Press the SP button to start printing or press the M button to change mode.
- Once the report is finished, the system will ask if you want to reset the counters to zero (clear counters?).
- Apply your manager key to the probe to say yes or, press the M button to return to operation mode.

```

AUPER ECLIPSE  00
-----
08/15/08  22:36:46
DATA REPORT 104258

PERIOD #3 LOGOFF
-----
01S  3 Well  @ .99 =  2.97
01R  5 Well  @ 3.20 = 16.00
01L  3 Well  @ 5.00 = 15.00
01P  2 Well  @ 1.50 =  3.00
02S  3 Call  @ 1.25 =  3.75
02R  7 Call  @ 3.50 = 24.50
02L  4 Call  @ 6.00 = 24.00
02P  6 Call  @ 1.75 = 10.50
03S  5 Premium @ 1.40 =  7.00
03R 14 Premium @ 3.75 = 52.50
03L  6 Premium @ 6.25 = 37.50
03P  1 Premium @ 1.50 =  1.50
04S  5 Wine   @ 3.00 = 15.00
04R  4 Wine   @ 4.00 = 16.00
04L  6 Wine   @ 5.00 = 30.00
04P  4 Wine   @ 6.00 = 24.00
05S  2 Cordial @ .99 =  1.98
05R  5 Cordial @ 3.00 = 15.00
05L  3 Cordial @ 5.00 = 15.00
05P  2 Cordial @ 1.50 =  3.00
06S  3 Cognac @ 1.25 =  3.75
06R  6 Cognac @ 3.50 = 21.00
06L  4 Cognac @ 6.00 = 24.00
07S  3 CordialP @ 2.00 =  6.00
07R  4 CordialP @ 4.75 = 19.00
07L  1 CordialP @ 7.00 =  7.00
07P  2 CordialP @ 2.40 =  4.80
-----
TOTAL 403.75

SIZE S SUB-TOTAL = 24
SIZE R SUB-TOTAL = 45
SIZE L SUB-TOTAL = 27
SIZE P SUB-TOTAL = 17
-----
TOTAL = 113
    
```

Counters cleared