


Auper Electronic Controls Inc

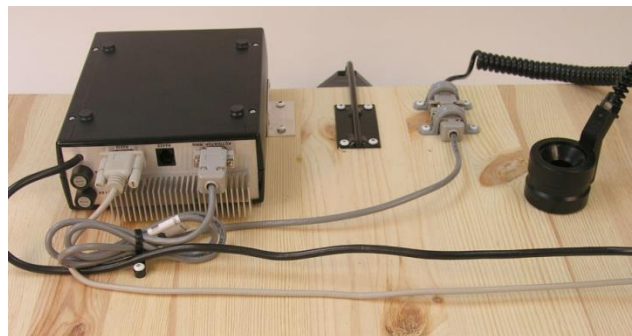
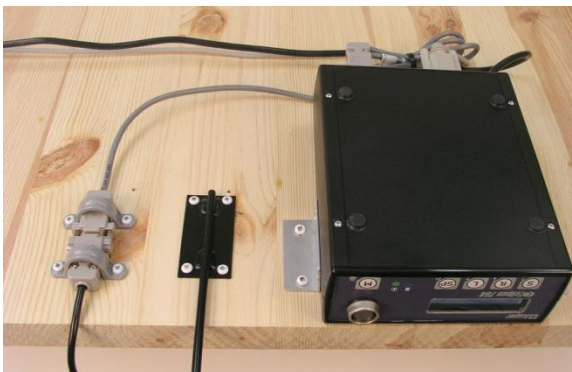
Eclipse 784 S3

Quick User Guide



INSTALLATION

1. Mount your Eclipse system, **away from areas where liquor spills** could fall onto the Eclipse. The system is protected with silicone but it is not guaranteed to be liquid proof. Liquid spills can find their way to the connectors causing corrosion and eventually penetrate the enclosure. 
2. Mount the activator ring holder to the right of the system (Most people are right handed) where it is most convenient for bartenders. Soft drink guns should be mounted on the left of the system.
3. Secure the activator ring and extension to the activator ring port on the system.
4. If you connect the Eclipse system to a serial port (printer, PC or POS), install the communication cable and test it before securing the system under the bar.
5. Secure your activator ring cable to the ring holder using a cable tie.
6. Connect the power supply cord to the 20 VA, 12 volts AC transformer. We recommend using a battery backup with surge protector if you are in an area where power failures are frequent.



SERIAL CONNECTION

CONNECTING THE ECLIPSE TO A SERIAL PRINTER

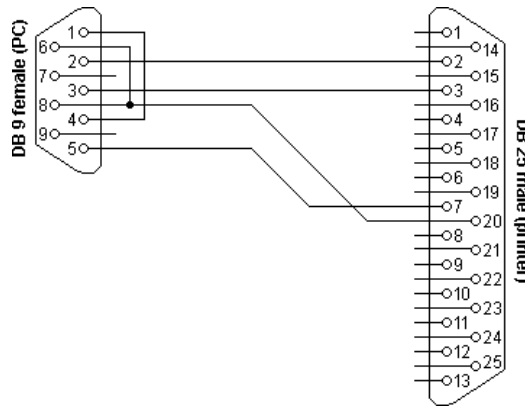
To connect a serial printer to the Eclipse, use the RS-232 port. With new printers, the 9-pin female serial cable supplied with the printer is directly compatible.



Set the RS-232 port to printer. (See programming)

Printer settings

- Baud rate: 9600
- Parity: none
- Stop bit: 1
- Handshaking: Xon/Xoff
- Print columns: 40

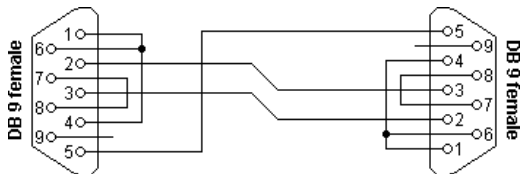


CONNECTING THE ECLIPSE TO A COMPUTER

You can connect your Eclipse to your PC to use the Liquor Manager software (cable and software purchased separately). Use a RS-232 null modem cable (P/N: 70-010).

RS-232 Null modem pin-out:

Null modem with loop back handshaking



The RS-232 cable cannot exceed 100 ft (30 meters).

Set the RS-232 port to PC. (See programming)



RS-232 null modem cable

CONNECTING THE ECLIPSE TO A POS OR CASH REGISTER

Interfacing an Eclipse to a POS is achieved using the RS-232 serial port. You can connect your Eclipse to your POS or cash register using a RS-232 null modem cable (P/N: 70-010). Samsung registers require a gender changer connector.



Set the RS-232 port to POS. (See programming)

USB TO SERIAL CONVERTER

Newer computers may not be equipped with 9-pin serial ports. A USB to serial adapter will solve the problem. Drivers are provided with the converter and must be installed on the computer. Windows will assign the serial port automatically. You can find to which port your converter has been assigned at:



Control panel/system/device manager/ports (Com & LPT)

The defaults Windows serial port settings are:

9600 bps, 8 bits, no parity, 2 stop bits and no flux control.

RS-422 SERIAL PORT CONNECTIONS

You will use the RS-422 port for the following reasons:

- You wish to connect your Eclipse system to a computer more than 100 ft (30M) away.
- You have more than one Eclipse that you want to connect to the same computer, POS or printer.

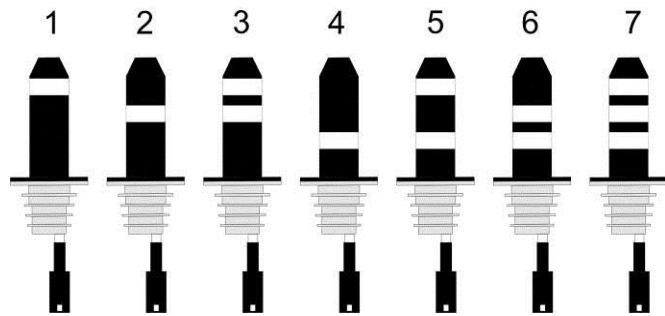
Use straight RS422 twisted pair cables between the Eclipse and the AP421 converter (P/N: 70-042-X).

RS-422 TO RS-232 CONVERSION

When using the RS-422 port, you will need to convert the signal back to RS-232 before you can connect your cable to a computer, POS or printer. The AP421 converter will accommodate up to four RS-422 inputs to convert to a single RS-232 port.



CODED POURERS



Clean your pourers immediately after taking them off the empties.

Do not use soap and do not clean in a dish washer.

Use the magnetic pourer tool to open the pourer when pushing the normally closed pourer into a new bottle. That will prevent pressurizing the liquid inside the bottle forcing it up the breather tube and air vent.



INSERTS

If the insert provided with the pourer is too loose, liquor will leak between the pourer and bottleneck. Select the bigger size and change the insert. If the insert is too tight, the pourer will be hard to remove from the bottle. This often leads to the breather tube being pulled out when you try to remove it from the bottle. Trim the top wing using a nail clipper or a cutter.



SEALS

1. Two-part seal

Remove a plastic seal from the roll and apply on top of the pourer. Pull both tabs onto the neck. Wrap a seal label around the neck of the bottle and the plastic tabs.



2. Shrink seal

Slide the heat shrinkable seal over the pourer, hold in place and apply heat evenly to shrink the seal to the bottle using a heat gun.



PROGRAMMING

- To access the program modes, Press and hold the S button as you apply the manager's i-button key onto the probe (1 of 6 i-buttons).
- To get out of the programming mode, apply the i-button key again.
- To change mode, press M once. You cannot go back. To come back, press M until you have passed all the program modes.

MODE 1: POUR SIZE TIMER

A TIMER setting of 33 equals approximately 1oz (30ml) Products with a higher viscosity will take more time to serve.

POUR SIZE TIMER: TIMER 1R = 33

- To view a different code and size press the S button to move up and the R button to move down.
- Pour a drink into a graduated cylinder.
- Measure the volume of the drink poured.
- Press the L button to increase the timer value.
- Press the SP button to decrease the timer value.
- Press M to skip.

MODE 2: COPY TIMER SETTINGS

SAME TIMER AS 1?

- Press SP to copy the timer values you have just set to all the pourer codes.
- Press M to skip.

MODE 3: POS AND REGISTER INTERFACE

If you do not interface your Eclipse to a POS or a cash register, make sure the system is set to POS DISABLED. The next modes only apply when the interface feature is set to enable. Go directly to the serial port setting section.

POS INTERFACE: DISABLED

- Press SP to set the POS interface to Enabled/Disabled.
- Press M to skip.

Protocols available:

The following modes are available if POS Interface is set to Enabled.

- Press the L button to change the interface protocol.
 - (1) Berg
 - (2) Micros NA
 - (3) Auper
 - (4) Addimat
 - (5) Veloce brand ID
 - (6) CSI
 - (7) IR Scanner
 - (8) Debit/Credit interface

When set to POS Enabled (7), the Eclipse 784 will send the PLU programmed in its PLU table corresponding to the pourer number and pour size selected through the selected serial port. The PLU is sent as if the item was scanned by an IR scanner.

The data is sent in the following format:

Example: PLU 0201 is sent as: 30 32 30
31 0D 0A

OD= Carriage return bytes 0A: New line bytes

As opposed to the other interface protocols, no reply from the ECR or POS is expected by the Eclipse to serve the drink.

PLU table

The default factory PLU table can be changed using the Liquor Manager software.

Code	PLU S	PLU R	PLU L	PLU SP
1	0101	0111	0121	0131
2	0102	0112	0122	0132
3	0103	0113	0123	0133
4	0104	0114	0124	0134
5	0105	0115	0125	0135
6	0106	0116	0126	0136
7	0107	0117	027	0137

MODE 4: ACK TIME OUT (INTERFACE SET TO ENABLED ONLY)

Sets the time your liquor system will wait for a reply from your POS system after a pour request has been sent. This timer is necessary to prevent the liquor system from waiting indefinitely in case the POS reply did not come.

ACK TIMEOUT = 4 SEC

- Press the S button to decrease this value.
- Press the R button to increase this value.
- Press M to skip.

MODE 5: PLUs FORMAT (INTERFACE SET TO ENABLED ONLY)

You can select the format of the PLUs sent by the Eclipse to the POS. For example: PLU 0651

4-DIGIT PLUs = N

If the 4-digit PLUs is set to Y: the PLU will be sent as is 0651.

If the 4-digit PLUs is set to N: the PLU will be sent as 651 only.

- Press SP to select between Yes or NO.
- Press M to skip.

MODE 6: PC COM PORT SELECTION

- Press SP to alternate between RS-232 and RS-422.
- If you are connecting the Eclipse to a PC using the RS-232 serial port, set to RS-232.
- If you are connecting one or more Eclipse systems using the RS-422 port, set to RS-422.
- If you are not using a PC, Press M to skip.

PC---> COM RS-232

MODE 7: POS COM PORT SELECTION

- Press SP to alternate between RS-232 and RS-422.
- If you are interfacing the Eclipse to a POS terminal or cash register using the RS-232 serial port, set to RS-232.
- If you are interfacing one or more Eclipse systems using the RS-422 port, set to RS-422.
- If you are not interfacing your system to a POS, Press M to skip.

POS---> COM RS-232

MODE 8: PRINTER COM PORT SELECTION

PRINTER---> COM RS-232

- Press SP to alternate between RS-232 and RS-422.
- If you are connecting the Eclipse to a serial printer using the RS-232 serial port, set to RS-232.
- If you are connecting one or more Eclipse systems to a serial printer using the RS-422 port, set to RS-422.
- Press M to skip.

MODE 9: BAUD RATE

- Press the L or SP button to change between 2400 bps, 9600 bps and 19.2 kbps.
- Press M to skip.

This function sets the speed at which the Eclipse will communicate with the PC, POS or printer. The other device must be set at the same baud rate.

MODE 10: PRICE SETTING

The price fields are used on printed reports and on the display. You can change the price setting for each pourer code and pour size.

PRICE SETTING: PRICE 7R 04.75

- Press the S button to move up and the R button to move down the pourer number and size.
- Press L to move the cursor to the left.
- Press SP to change the digit value (0 to 9).
- Press M to skip.

MODE 11: COPY PRICE SETTINGS

- Press SP to copy the price values you have just set to all the spout codes.
- Press M to skip.

SAME AS PRICE 4?

MODE 12: TIME

- Press the S button to activate the clock.
- Press the R and L buttons to change the minutes.
- Press the S button to change the hour.

TIME: 00:00:00

MODE 13: DATE

- Press the SP button to increase the year.
- Press the R and L buttons to change the day.
- Press the S button to change the month.

DATE: 01/01/98

MODE 14: SYSTEM NUMBER

SYSTEM NUMBER 01

You will use the system number to identify each Eclipse on printed reports or to communicate with the Liquor Manager software. System numbers can be set between 0 and 99. There cannot be two systems with the same number on the same RS-422 network.

- Press SP to decrease the system number
- Press L to increase the system number.
- Press M to skip.

MODE 15: DEFAULT POUR SIZE

This is an option to return to a specific pour size. The delay to return to a specific pour size after removing the pourer from the ring can be set between 0.5 and 8 seconds. The next program mode will be available if this option is set to Enabled.

- Press the SP button to change between Enabled and Disabled.
- Press M to skip.

RET TO DEF SIZE:
DISABLED

MODE 16: DEFAULT POUR SIZE DELAY

Available if the default pour size mode is set to enabled.

- Press S to increase the delay.
- Press R to decrease the delay.
- Press M to skip.

DEF. SIZE DELAY:
1.5 s

MODE 17: SETTING THE DEFAULT POUR SIZE

- Press the pour size button that you want the system to return to automatically.
- Press M to skip.

DEFAULT SIZE:
REGULAR

MODE 18: LOGIN KEY MODE

- Press the SP button to alternate between PERIOD KEY AND SERVER KEY.
- Press M to skip.

LOGIN KEY MODE:
PERIOD KEY

Select PERIOD KEY for the Login/Logoff mode. In this mode, the bartender applies one of the 3 period keys to the probe at the beginning of the shift to login and start the system. The system will remain activated until the same key is applied to the probe again to Logoff or another period key is applied to login in a different period. All pour size served will be registered in the opened period counters.

Select SERVER KEY if your Eclipse system is equipped with the magnetic probe and key option. This mode is designed for handling up to 3 bartenders using the system at the same time each using a different SERVER KEY.

LOGIN KEY MODE:
SERVER KEY

The system remains disabled unless a key is on the probe to identify the bartender. Since the key is magnetized, it will hold on the probe. The drinks dispensed will register in the corresponding Server counters (S1, S2 or S3). Removing the key from the probe, automatically disables the system after the current pour size is completed.

MODE 19: LOGIN/LOGOFF REPORT

Set to Enable to automatically print a report upon login and logoff in the Period key mode. The manager should clear the counters at the end of each day in order to start the day with an empty report. The Logoff report will show the total served for the period.

LOGIN/OFF REPORT
DISABLED

- Press the SP button to change between ENABLED/DISABLED.
- Press M to skip.

MODE 20: PERIOD/SERVER KEY

Up to three keys can be programmed for each period (or server) number for a total of 9 keys that can be used to activate the system. Three different persons can have key No.1 for example. We recommend writing the key number on the FOB of each key for easy identification.

- Press the S button to change the period/server number (1 to 3).
- Press the R button to change the key number (1 to 3).
- Press the L button to delete the current key.
- Apply a new key to the probe. The code will be displayed with the word NEW in front of it.
- Press the SP button to assign the key to the period/server number.
- Press M to skip.

PERIOD 1 KEY 2:
000000000000

MODE 21: MANAGER KEYS

You can enter up to six manager keys in your system. Each key should be identified as Manager 1 to 6 on the plastic fob. The actual electronic code is etched on each key. You can view each key number in this mode. When a key number is not used, zeros will be displayed.

- Press S to move up and R to move down the manager keys list.
- If you have lost a key, Press L to delete this code
- Apply the new i-button to the probe. The code will be displayed with **NEW** in front of the code.
- Press SP to accept and assign the manager key.

Should you loose power to the system before you have assigned a new dealer key, upon power up, the system will display the following message:

PLEASE PUT MANAGER KEY AND PRESS SP TO SAVE

- Press M to exit this mode

MANAGER KEY 1:
0000125B0A64

MANAGER KEY 6:
000000000000

MANAGER KEY 1:
KEY DELETED

MANAGER KEY 1:
NEW- 0000234BF34

MANAGER KEY 6:
KEY ASSIGNED

MODE 22: QUICK POUR MODE

When the Quick pour mode is disabled, the system will complete the current pour size before you can shake the ring to start a new one.

If the Quick pour mode is enabled, you can interrupt a pour size and start a new one by shaking the ring.

In both cases, the system will count 1 for each pour size activated (even interrupted ones).

- Press SP to enable/disable
- Press M to skip

QUICK POUR MODE:
DISABLED

MODE 23: AUTO-POUR MODE

When the auto-pour mode is enabled, you can pour several shots or wine glasses automatically with a programmed delay between each.

- Press SP to Enable or Disable.
- Press M to skip.

AUTO-POUR:
DISABLED

MODE 24: AUTO-POUR DELAY

You can program the delay between pour sizes from 1 to 4 seconds in increments of 0.5 seconds. You can try the system in this mode to see if the selected delay suits you.

AUTO-POUR DELAY:
1.5s

- Press R to decrease the delay.
- Press L to increase the delay.
- Press M to skip.

MODE 25: UNBLOCKER OFF/ON

- Press SP to alternate between ON or OFF
- Press M to skip.

Mode 26: Print CKT TABLE

- Press SP to print the list of programmed cocktails for use with POS Enabled (8)
- Press M to skip.

MODE 27: SAVE SETTINGS

Your settings will be transferred into an independent memory chip. Should you need to re-initialize your system's microprocessor or clear the memory, you will be able to reload your system settings.

SAVE SETTINGS?

- Press the SP button to save your settings.
- Press M to skip. (WILL NOT SAVE CURRENT CHANGES)

SETTINGS SAVED

MODE 28: FIRMWARE VERSION

Identifies the firmware and CPU running your Eclipse system.

FIRMWARE V2S2.0a
CPU: P89V664

- Apply the manager key to the probe to exit.
- Press M to go to start again from the top



RUN MODE

MODE LOGIN/LOGOFF (Period key)

- The system will remain on Idle until a period key is applied to the probe to activate it. The green light is off.
- Apply a period key to login. The display will change to indicate it is ready to serve. The green light is on. The period logged in is shown in the top right corner of the display.
- Select the pour size using the S, R, L and SP buttons.
- Insert a bottle with a coded pourer into the activator ring. The blue light indicates that the system is ready to pour.
- Invert to pour.
- When the first pour ends, give the inverted bottle a quick shake. Repeat as many times as necessary.
- If the auto pour restart function has been enabled, wait with the ring inverted until the next pour starts. A delay of 1.5 seconds is programmed by default at the factory.

SYSTEM IDLE.....

No. 01	REG.	P1
Pourer 1	R	4.50

SERVER MODE

- The display shows the last pouring event with the SERVER number in the top right corner. The green light is off. The system is disabled.
- Apply a server key to the probe and leave it in place. The green light turns on to indicate it is ready to pour with the server ID in the top right corner.
- Select the pour size using the S, R, L and SP buttons.
- Insert a bottle with a coded pourer into the activator ring. The blue light indicates that the system is ready to pour.
- Invert to pour.
- When the first pour ends, give the inverted bottle a quick shake. Repeat as many times as necessary.
- If the auto pour restart function has been enabled, wait with the ring inverted until the next pour starts. A delay of 1.5 seconds is programmed by default at the factory.
- Remove the server key. All the drinks served are registered in the corresponding server counters.

No. 01	REG.	S3
WELL	R	3.20

TIME AND DATE

- Press the M button once to see the date and time.
- Press M to skip

READING THE COUNTERS FROM THE DISPLAY

- Press M once.

- Press the S button to move up and the R button to move down.

MANAGER KEY LOGIN/LOGOFF

- Locked-Ready indicate that the system has been activated (Login).
- Locked-Idle indicates the system is not activated (Logoff).

PERIOD NUMBER: 2
LOCKED- READY

To logoff:

- Apply a manager key to the probe. The display will change to Unlocked-ready.
- Press the SP button to logoff (Unlocked-Idle).
- Apply the manager again to exit. (Locked-Idle)

To Login:

- Apply a manager key to the probe. The display will change to Unlocked-Idle.
- Press the S button to login in period 1.
- Press the R button to login in period 2.
- Press the L button to login in period 3.
- Apply the manager key again to exit. (Locked-Ready: P)
- Press M to skip.

```

AUPER ECLIPSE  00
-----
08/15/08 22:36:46
DATA REPORT 104258

PERIOD #3 LOGOFF
-----
01S  3 Well @ .99 =  2.97
01R  5 Well @ 3.20 = 16.00
01L  3 Well @ 5.00 = 15.00
01P  2 Well @ 1.50 =  3.00
02S  3 Call @ 1.25 =  3.75
02R  7 Call @ 3.50 = 24.50
02L  4 Call @ 6.00 = 24.00
02P  6 Call @ 1.75 = 10.50
03S  5 Premium @ 1.40 =  7.00
03R 14 Premium @ 3.75 = 52.50
03L  6 Premium @ 6.25 = 37.50
03P  1 Premium @ 1.50 =  1.50
04S  5 Wine @ 3.00 = 15.00
04R  4 Wine @ 4.00 = 16.00
04L  6 Wine @ 5.00 = 30.00
04P  4 Wine @ 6.00 = 24.00
05S  2 Cordial @ .99 =  1.98
05R  5 Cordial @ 3.00 = 15.00
05L  3 Cordial @ 5.00 = 15.00
05P  2 Cordial @ 1.50 =  3.00
06S  3 Cognac @ 1.25 =  3.75
06R  6 Cognac @ 3.50 = 21.00
06L  4 Cognac @ 6.00 = 24.00
07S  3 CordialP @ 2.00 =  6.00
07R  4 CordialP @ 4.75 = 19.00
07L  1 CordialP @ 7.00 =  7.00
07P  2 CordialP @ 2.40 =  4.80
-----
TOTAL 403.75

SIZE S SUB-TOTAL = 24
SIZE R SUB-TOTAL = 45
SIZE L SUB-TOTAL = 27
SIZE P SUB-TOTAL = 17
-----
TOTAL = 113
    
```

Print report?

PRINTING REPORTS

Reports are numbered and identify the Eclipse system number.

- Press M again.
- Press SP to accept.
- Press M to skip.
- After the report is printed, the system will ask you if you want to clear the counters.
- If **no**, press M to skip.
- If **yes**, apply a manager i-button key to the probe
- Press the M button to go back to the run mode display



Counters cleared