



BEER AND BEVERAGE
FLOW METERS
METERING SYSTEMS
BEER/WINE DISPENSERS
LIQUOR DISPENSERS
SALES CONTROL
SOFTWARE FOR BEER
AND LIQUOR



2024 PRODUCT CATALOG

ORDERING INFORMATION**How to Order**

Orders may be placed by phone or e-mail. Please specify quantity, part number and a short description for each item ordered. US currency is accepted.

Terms/Method of Payment

Sales Taxes required by law to be collected or paid by seller shall be in addition to prices quoted unless an appropriate Tax Exemption Certificate is furnished. All goods are sold F.O.B. factory, suitably packed for shipment. Credit cards are accepted in US or CDN currency. International customers will be required to pay in advance prior to shipping by electronic bank transfer.

Warranty

Auper products are fully guaranteed against defects in both material and workmanship for a period of one-year from date of sale. Flow meters are guaranteed for 5 years. Defective parts will be replaced on a no-charge basis, F.O.B. our factory, subject to our inspection. We are not responsible for parts damaged by alteration, unauthorized service, accident or abuse. All costs incident to replacement to include freight, labor and/or loss of sales are incidental to this warranty and must be borne by the user.

Method of Shipment

All shipments are carefully packed and labeled to prevent damage or loss. Shipments without routing instructions will be shipped at our discretion via the best method possible without any liability on our part for such selection.

Lost or Damaged Merchandise

THE RESPONSIBILITY of Auper Electronic Controls Inc. CEASES UPON ACCEPTANCE OF ITS PRODUCTS BY THE CARRIER. Any damage or loss sustained in shipment is the carrier's responsibility. Before giving the carrier a clean receipt at time of delivery, make sure you receive every item on the bill and inspect every carton, crate and box for damage. Then file a claim for your loss. When you give the carrier a clean receipt, you accept the total responsibility for the shipment. For your protection, do not return any damaged merchandise without our approval.

Return of Merchandise

Do not return any merchandise without prior written approval from Auper Electronic Controls Inc. Unauthorized return shipments will be refused. Return goods are subject to a minimum 25% handling and restocking charge. Freight charges must be prepaid on all return shipments.

If equipment is in new and unused condition in its original carton, a credit may be allowed pending examination. It is the policy of Auper Electronic Controls Inc. to continuously improve the merchandise we market and sell. Therefore, we reserve the right to make changes in specifications, design and prices without notice.

CONTENTS

ORDERING INFORMATION 1

Analog flow meters with plastic nuts and 25ft cable (7.65 M) 3

OEM DIGITaL flow meters with plastic nuts and 25ft cable (7.65 M) 4

ACCESSORIES FOR KEG COOLER..... 6

tubing adapters FOR FLOW METERS..... 7

2FM - 2 FLOW METER BATTERY SYSTEM 8

TM600 - 6 FLOW METER SYSTEM 9

TM6400 – 64 FLOW METER SYSTEM 11

AUTOMATIC DRAFT TAP 14

Cat 5 FLOW METER collector cables (Tm600, TM6400 AND aUTOMATIC dRAFT TAP) 17

Draft Manager Live – rEAL-TIME DRAFT MONITORING AND pos INTERFACE SYSTEM 18

 Draft manager Live email report..... 20

 Draft Manager Live HTML logs to review events 21

eclipse 4250 IE Brand ID Liquor/wine control system 22

Eclipse 4250 IE 24

Eclipse 784 S3 liquor/wine control system 25

Eclipse systems Accessoires 28

LIQUOR MANAGER LIVE – rEAL-TIME Liquor control AND pos INTERFACE SYSTEM 31

SERIAL AND NETWORK CONNECTIONS 33

FLOW METERS



The first Auper flow meters were made in 1985. The internal diameter, unique propeller design passageway allow draft beer and other beverages to circulate normally, without cavitation that can cause foaming. The materials used in the fabrication have been selected to resist many years of exposure to the strong chemicals used to clean beer tubing without damage or wear. Proudly made in Canada, the different flow meter models are calibrated to obtain a maximum sensitivity with the least pressure drop depending on the flow rate and viscosity of the products. They are recognized by the industry for their accuracy, reliability and durability (20 years on average).

ANALOG FLOW METERS WITH PLASTIC NUTS AND 25FT CABLE (7.65 M)



Analog flow meters are used with all Auper metering systems and Automatic Draft Tap. They do not require any power and cannot be damaged if the wires are inverted or short circuited. The cable provided is long enough to reach the flow meter collector boxes provided with Auper systems.



SPECIFICATIONS:

Body material: Acetal (FDA) and 316L stainless steel

O-rings: Buna N

Output signal: 0 to 0.5 Volts Peak to peak at 0 to 45 pulses/sec

Power Input: No

Leads: 2 (no polarity)

Threads: 5/8 BPT Available adapters: John Guest and DM push-in and barbed tailpieces

Dimensions : 2.85" (7.2 cm) L X 1.25" (3.175 cm) D

Shipping weight without tubing adapters: Approx. 188 g / 0.4 lbs

Tubing adapters and washers are sold separately. Barbed tailpieces are available for all beverage tubing dimensions in chrome plated or stainless steel. 5/8 BSP threads push-in tubing adapters (John Guest and DM) are available for OD imperial and metric tubing.

Part No.	Description
50-316-C (C)	Flow meter for draft beer and wine with a typical flow rate of 2 Oz/sec (60 ml per sec)
50-018-C (C)	Flow meter for draft beer, wine and soda with a typical flow rate of 1 Oz/Sec (30 ml per sec)
50-332-C (C)	Flow meter for syrups with a typical flow rate of 0.5 Oz per sec (15 ml per sec)
50-732-C (C)	Flow meter for draft beer and wine with a typical flow rate of 3 Oz/sec (90 ml per sec)

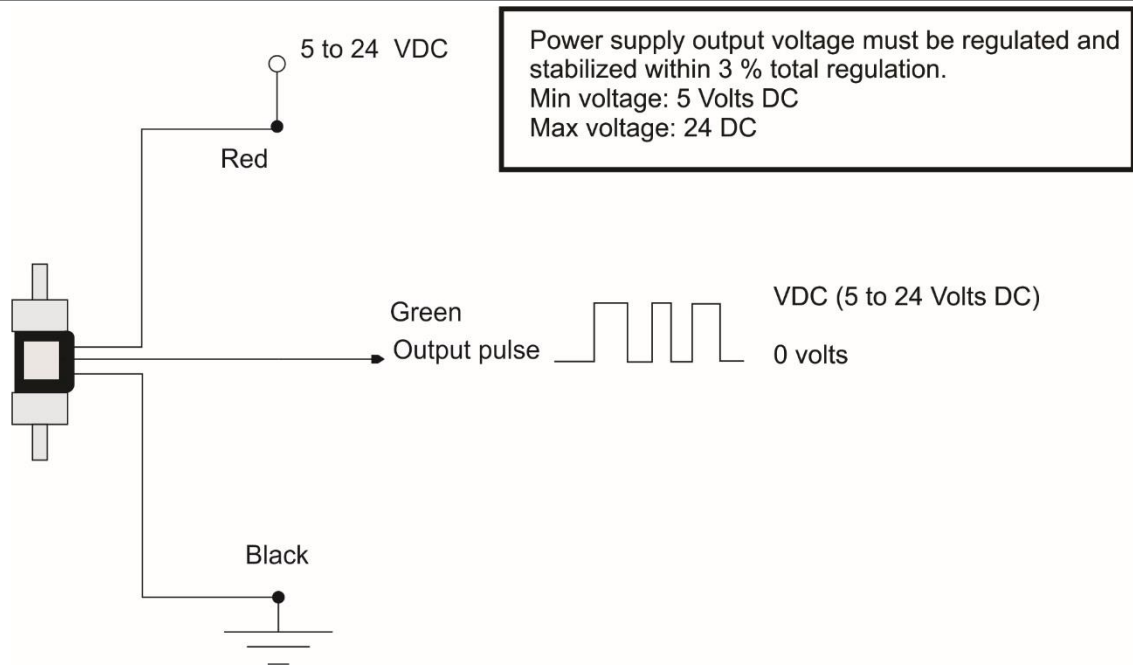
OEM DIGITAL FLOW METERS WITH PLASTIC NUTS AND 25FT CABLE (7.65 M)



This three-wire flow meter contains the electronic circuitry needed to generate a square pulse proportional to the voltage applied and, in frequency to the flow rate of the liquid. The circuit is encapsulated in silicone to protect it from humidity and liquid spills. The three-wire cable (Red V+, Black V-, and Green or white pulse out) is 3M (10 ft) long.

This flow meter can be used with PLCs equipped with pulse counting inputs from 5 to 24 volts DC. It can be used to replace lower quality digital flow meters used in the industry.





SPECIFICATIONS:

Body material: Acetal (FDA) and 316L stainless steel

O-rings: Buna N

Output signal: Square pulse proportional in frequency to flow rate at 5 to 24 volts depending on voltage applied

Power Input: 5 to 24 Volts DC

Leads: 3 (Red V+, Black -, Green pulse out)

Threads: 5/8 BPT Available adapters: John Guest and DM push-in and barbed tailpieces

Dimensions : 2.85" (7.2 cm) L X 1.25" (3.175 cm) D

Shipping weight with tubing adapters: Approx. 238 g / 0.5 lbs

Tubing adapters and washers are sold separately. Barbed tailpieces are available for all beverage tubing dimensions in chrome plated or stainless steel. 5/8 BSP threads push-in tubing adapters (John Guest and DM) are available for OD imperial and metric tubing.

Part No.	Description
50-316-DC	Digital flow meter for draft beer and wine with a typical flow rate of 2 Oz/sec (60 ml per sec)
50-018-DC	Digital flow meter for draft beer, wine and soda with a typical flow rate of 1 Oz/Sec (30 ml per sec)
50-332-DC	Digital flow meter for syrups with a typical flow rate of 0.5 Oz per sec (15 ml per sec)
50-732-DC	Digital flow meter for draft beer and wine with a typical flow rate of 3 Oz/sec (90 ml per sec)

ACCESSORIES FOR KEG COOLER

30-900 Empty keg detector (FOB)

This device detects when the keg is empty when gas rushes up the line instead of beer. The chamber will empty pushing the normally floating ball down to block the outlet. The flow of beer will stop suddenly at the faucet without any foam and gas explosion.



Once the keg has been changed, the chamber filled and the detector primed, draft beer service can resume without waste. Empty keg detectors installed in front of the flow meters are recommended on beer lines exceeding 10 ft/3m. They prevent the flow meter from sitting in an empty line and from registering gas.

3/8 SCV Check valve for ¼ X 3/8 tubing

½ SCV Check valve for 3/8 X ½ tubing

Check valves should be used in front of flow meters installed in beer lines splitting to several beer taps either after tees or manifolds.



The check valves will prevent unwanted flow movement in the tubing caused by pressure drops.

30-900 Graduated cylinder 600 ml/20 Oz

This 22 US/Imp Oz and 600 ml plastic graduated cylinder is short enough to be used under beer taps and narrow enough to offer the necessary accuracy.

You will use it to calibrate the flow meter system during installation and to verify the accuracy of your readings. You can also use it to measure your glass sizes. Spraying a small quantity of WD40 prior to serving beer into it will help kill the foam rapidly to save time (will not work with Stouts and Cream Ales).



TUBING ADAPTERS FOR FLOW METERS

- 30-200 Soft neoprene washer for flow meters
- 30-210 Hose clamp stainless steel (SSH-6)
- 30-240 Replacement plastic nut
- 30-600 Push-in John Guest adapter 5/8 BSP X 3/8 OD
- 30-610 Push-in John Guest adapter 5/8 BSP X 1/2 OD
- 30-700-S Tailpiece stainless steel for 3/16 (4-5mm) ID tubing
- 30-720-S Tailpiece stainless steel for 3/8 (8-9mm) ID tubing



ACETAL FITTINGS (BLACK / METRIC)

FAB - Female Adapter

BSP(P) Thread (Flat Type)



PART NO.	Tube O.D. (mm)	BSP(P) Thread	Qty / Box
AFAB 0804FM	8	1/4	200
AFAB 0808FM	8	5/8	200
AFAB 1004FM	10	1/4	200
AFAB 1007FM	10	1/2	150
AFAB 1008FM	10	5/8	150
AFAB 1206FM	12	3/8	150
AFAB 1207FM	12	1/2	150
AFAB 1208FM	12	5/8	150

AUPER METERING SYSTEMS

The metering system model is selected based on the number of flow meters you need to connect to it and by your specific needs. Auper metering systems were designed to simplify the wiring of flow meters in beer coolers by reducing connections and cables.



Auper metering systems are proudly made in Canada with premium quality components and craftsmanship insuring you of years of reliable and trouble-free service.

Auper flow meter systems are used to measure expensive commodities such as draft beer and wine. There are the first line of defence against theft and wastage. They should benefit from the same installation care as an alarm system to insure that CPUs and cables cannot be unplugged and are connected to a battery back-up in case of power failure.

2FM - 2 FLOW METER BATTERY SYSTEM

Part number: 50-200-K

The 2FM is a battery powered metering system used mostly for measuring draft beer served in self-contained portable bars found in golf clubs, stadiums, terraces and banquet halls.

You can connect two flow meters to the 2FM. It is powered by two AAA alkaline batteries (not included) that should last approximately 2 years depending on how many times you use the back light for the display.

The 2FM can be set to count ounces, litres and any other quantity that you want the system to count 1 for.



SPECIFICATIONS:

- Recommended batteries: AAA Energizer or Duracell alkaline
- Battery power: 1250 ma/hour @ 1.5 volts each (3volts)
- Low power warning: 2.3 volts (Approx. 75% of battery life)
- Consumption: Hibernation: 0.066 ma and 0.7 ma when a flow meter is active
- Light consumption (3 sec cycle): 28 ma
- Estimated battery life: 1500 hours of measuring without using light
- Dimensions: 2.5 in X 5.0 in X 1 in (6.5 cm X 13.0 cm X 2.5cm)
- Weight: 0.6 lbs (0.3 kg)
- Backlight: Electroluminescent

TM600 - 6 FLOW METER SYSTEM

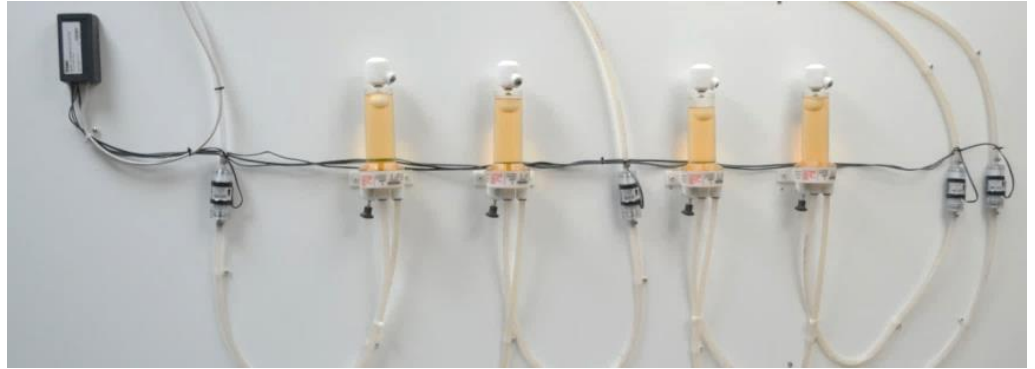
Part number: 50-600-K

You can connect up to six flow meters to a TM600 (6 taps). The system includes a small collector box to connect the flow meters inside the beer cooler. A UTP Cat 5 cable (network cable) is used to link the collector box to the TM600. A 25 ft. / 7.65 M Cat 5 cable is provided. You can order longer cables or have one installed by a local network cable contractor.

The TM600 can be set to count ounces, litres and any other quantity that you want the system to count 1 for. The top line of the display shows the quantity actually being served. You can use it to measure the content of the glass being served. This counter will reset back to zero a few seconds after the flow meter has stopped. The bottom line shows the daily amount served. Master counters keep totalizing the amount served to date.

The TM600 can be connected to a computer running the Draft Manager Live software using a serial to USB cable or, using a serial to Ethernet converter to connect it to your computer network. The network option can save expensive cable installations and will let you connect several metering systems located in different areas of a building to the same computer.





TM600 (suite)

SPECIFICATIONS:

- The flow meter collector box can be mounted inside the beer cooler
- The daily counters can be cleared using the manager key
- Usage reports can be printed to a serial printer
- Up to 4 i-button keys for managers and 4 i-button keys for administrators
- Changing settings and clearing of master counters require an administrator key
- **Dimensions:** 3" 5/8 W X 5" H X 1" D - 92 mm W X 126 mm H X 24 mm D
- **Weight:** 2.2 lb / 1Kg
- **Communication :** RS-232 null modem/RS-422
- **Connectors:** RS-232: dbsub 9 male - RS-422: RJ11 - Collector box: RJ45
- **Power:** 12 Volts DC@ 0.65 AMP
- **Flow meter collector cable:** UTP Cat 5 4 pairs - Maximum length 300 Ft / 100M



TM6400 – 64 FLOW METER SYSTEM

Part number: 50-6400-K or 50-6400-KN

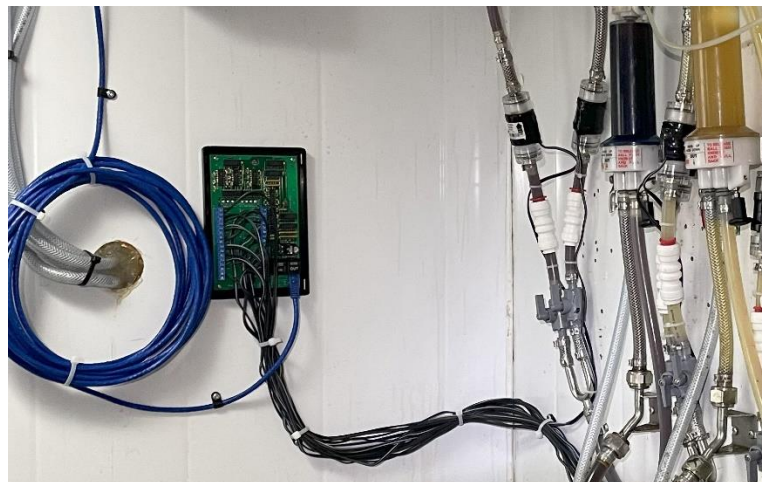
You can connect up to 64 flow meters to one TM6400 system. The flow meters are connected to the system using Auper flow meter collector boxes. Up to 16 flow meters can be connected to one collector box and up to 4 collector boxes can be connected to one TM6400 using 2 channels and Cat 5 network cables. To each channel you can connect one or two daisy chained collector boxes.

The TM6400 is equipped with a serial RS-232, a RS-422 port and an optional network adapter to connect it to a computer. The network adapter option has the advantage of being able to connect the TM6400 to the computer network and install the software on any computer on the network without having to install serial cables.

You can also use the TM6400 without software. The counters can be read directly from the display or you can print reports to a serial printer. The counters can be cleared by the manager using an access code. The TM6400 can be programmed to measure ounces, liters, glasses or any other measuring unit of your choice. A power failure counter and flashing LED will indicate when the system has lost power.

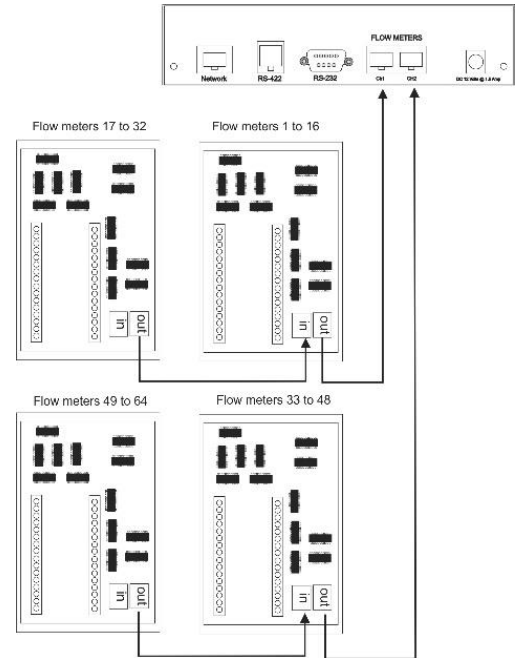
TM6400 Collector boxes:

16 flow meters can be connected to one collector box inside the beer cooler. Positioning the collector box within reach of the flow meters that will be connected to it will simplify and speed up installation. A second collector box can be connected to the "IN" connector of a collector to add more flow meters. A UTP Cat 5 cable (network cable) is used to link the collector boxes to the TM6400. A 25 ft. / 7.65 M Cat 5 cable is provided with each collector. You can order longer cables or have them installed by a local network cable contractor.



Ordering information

Two part numbers are available. You can order the TM6400 without the Network adapter if you do not intend to use software. The network adapter can be ordered separately and installed at a later date.



Extra flow meter collector boxes ordered separately.

Use part No. **50-6400-COLL**.

A TM6400-K system includes:

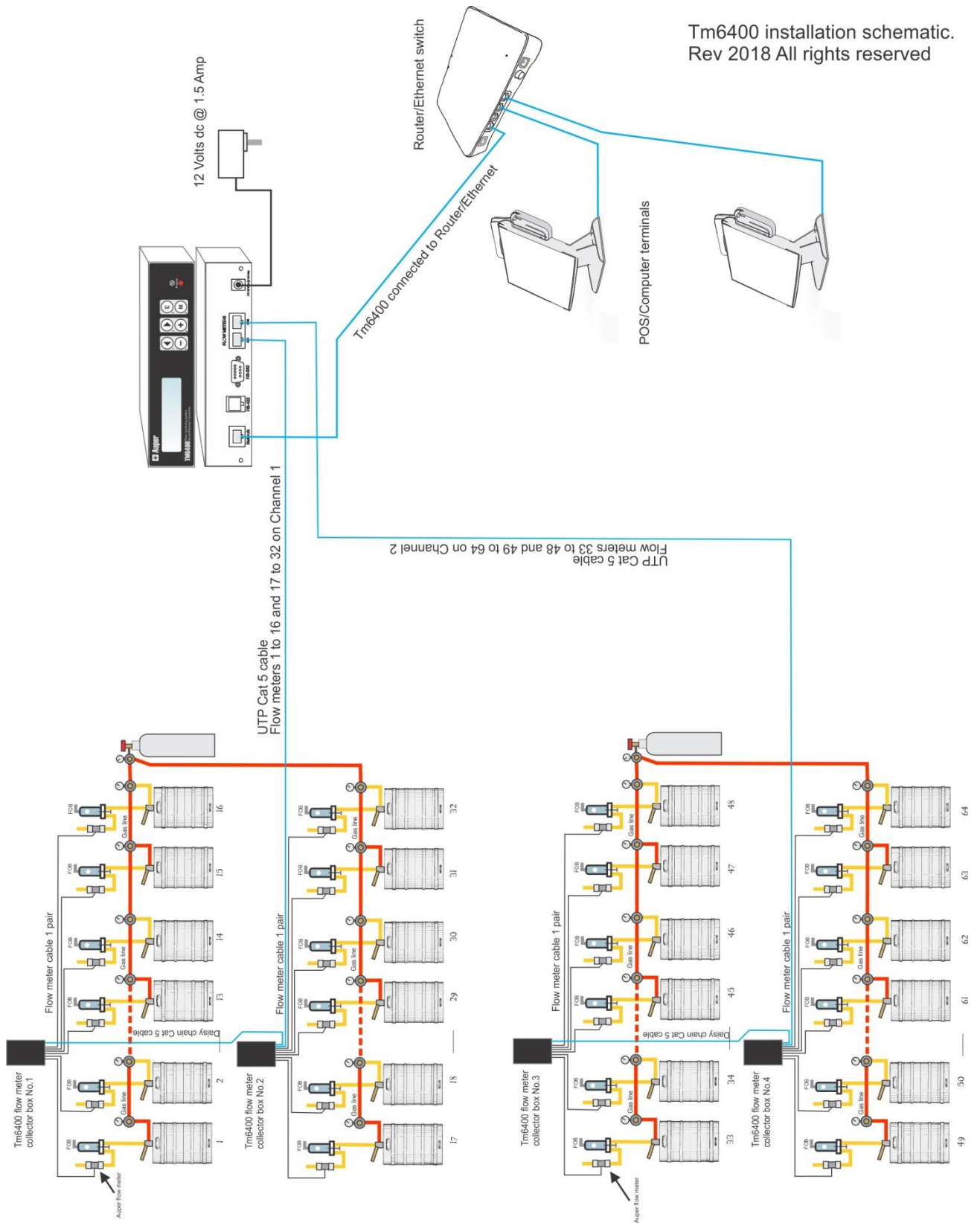
- TM6400 metering system
- 1 Flow meter collector box
- 25 ft (3M) Cat 5 network cable
- 10 ft(3M) Null modem RS-232 cable
- 12 volts DC 1.5 Amp power supply

A TM6400-KN system includes:

- TM6400 metering system with network adapter
- 1 Flow meter collector box
- 2 X 25 ft (3M) Cat 5 network cable
- 12 volts DC 1.5 Amp power supply

SPECIFICATIONS:

- **Power:** 12 volts DC @ 1.5 Amp
- **TM6400 Size:** 7.4" W X 4.125" L X 1.7" H (177.8mm X 136.5mm X 57.1 mm)
- **Collector box size:** 6.75" L X 4.375" W X 1.75" H (171.4mm X 111.1mm X 44.4mm)
- **Shipping weight:** 2.5 lbs / 1.14 kg
- **Serial Communication:** RS-232 null modem/RS-422
- **Connectors:** RS-232: dsub 9 male - RS-422: RJ11 - Collector box: RJ45
- **Flow meter collector cable:** UTP Cat 5 four pairs - Maximum length 300 Ft / 100M



Tm6400 installation schematic.
Rev 2018 All rights reserved

AUTOMATIC DRAFT TAP

Part No: 50-100-ADT

The Automatic Draft tap is a motorized stainless steel beer faucet controlled by an internal CPU. An Automatic Draft Tap is a stand-alone device. Up to four pour sizes can be pre-set to dispense the amount of draft beer or wine you wish to serve in your different glass sizes. The F (foam) button is set to open the tap partially to make beer foam to “add a head”. The Draft Tap can operate with the serving sizes set by the amount of time the faucet is held open or, with an optional Auper flow meter to insure the most accurate serving sizes at all time.

Pressing one of four pour size buttons will open the beer faucet to dispense the product. The faucet will close automatically when the pre-set quantity is reached. If enabled, the foam button can be pressed to add foam to top off the beer glass when needed. Each pour size and the foam button have a counter that will advance 1 each time a serving is served.

The manager can reset the counters to zero at the start of a new shift using the programmable passcode. The Draft Tap can be locked and un-locked using a programmable passcode.

Available faucets:

The Automatic Draft Tap can be fitted to many beer faucets provided we design and 3D print a suitable faucet adapter. Our faucet adapters are made of carbon fiber infused nylon for tensile strength and chemical resistance.

Perlick 630SS faucet and 650SS faucet with flow control:

Perlick’s forward seat design of their faucet allows to clean the beer tubing with the faucet in place. The inside of the faucet is cleaned with the line cleaning solution.



50-100-630: Regular beer/wine faucet made of 304 SS

50-100-650: Same faucet with a flow control lever. Once the flow is adjusted, the flow control lever must be unscrewed and covered and secured with cover to prevent people from tampering with it.



50-155: Tap handle adapter

This 3/8 thread standard tap handle adapter will be glued to the cover of the Automatic Draft Tap. 3M VHB two-sided tape is applied to the nylon support. It is very resistant but will come off should the handle be pulled very hard to protect the ADT

**50-120-IPB: Ethernet adapter and junction box**

Commands to control the Automatic Draft Tap can be sent by a third-party software application using this Ethernet adapter. For example, a self-serv App can open and close the beer faucet from a remote touch screen after payment is accepted.

The Automatic Draft Tap can also be used with our software to monitor the pour sizes served in real-time.

**ADT SPECIFICATIONS :**

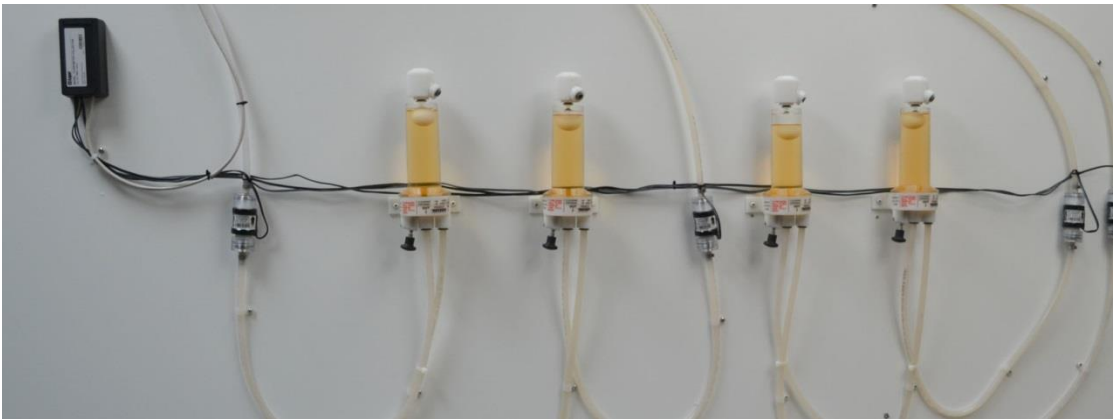
- Four programmable pour sizes
- F (foam) button opens the faucet partially to make beer foam (the quantity is programmable)
- Faucet lock/unlock with programmable passcode
- Cancel a pour option (must be enabled)
- Pause a pour option (must be enabled)
- Hands free auto repeat with programmable delay between servings (must be enabled)
- Line cleaning mode (Passcode protected)
- Pour size counters on display
- Reset counters mode (password protected)
- Automatic shut off in case of power failure
- Ethernet connection option for software interface
- Can receive commands by remote
- **Power:** 6 Volts DC @ 3 Amp (5mm barrel connector)
- **Dimensions :** 2'' 3/8 L X 3'' H x 3.5'' P
- **Material:** Aluminum anodized grey

50-101-CB: Set of two collector boxes for remote installation of flow meters (2)

One collector box will be mounted in or near the beer cooler to connect up to 6 flow meters to it. A second collector box will be mounted at the bar close to the Automatic Draft Taps. The two flow meter wires will be connected to the corresponding flow meter in the cooler to control the ADT by flow meter instead of time.

A standard UTP Cat 5 network cable will be used to link the two junction boxes.

A neat and easy way to connect flow meters to Automatic Draft Taps.



Faucet adapters:

50-650-B 1.75"/44.5 mm 5/8 BSP threads shank with 3/16 barbed elbow

50-650-S 1.75"/44.5 mm 5/8 BSP threads shank with 3/16 barbed straight

50-655 2.5"/63.5 mm shank 5/8 Thread with flat back

50-675 ½" thread flat back European tower adapter



CAT 5 FLOW METER COLLECTOR CABLES (TM600, TM6400 AND AUTOMATIC DRAFT TAP)

Collector cables are regular Cat 5 network cables you can find in computer stores. A 25 ft cable (7.65 m) is provided with the TM600 and TM6400 systems. The cables below can be purchased separately or you can have a Cat 5 network cable installed and tested by a local contractor.

Part No:

70-125	25 ft /7.6m cable
70-150	50 ft /15 m cable
70-200	100 ft /30m cable



DRAFT MANAGER LIVE – REAL-TIME DRAFT MONITORING AND POS INTERFACE SYSTEM

Live View Monitor

Settings Utilities Hide Main Window Show Main Window

Unknown Printer

October 6, 2016 Current Shift Number: 2 Price Group: A **READY** 10/6/2016 - 11:02 - E-mail successfully sent...

11:14:05 Next Shift Starting Time: 03:00 (1) 03:00 11:00 10:35 11:35 12:35 13:35 14:35

Registered POS Products Log File: 161006_1102_R2.txt Served Products Log File: 161006_1102_S2.txt

Date/Time	PLU	Bar	Produ...	Unit	Qty. Reg.	T#	Date/Time	Bar	Produ...	Sys.	Lin...	Qty. Serv...	T#
✓ 10/06/2016 - 11:03:23	COORS LITE 20 OZ	MAIN	COORS	1	19.00	1	✓ 10/06/2016 - 11:03:02	MAIN	COORS	0	2	15.87	1
✓ 10/06/2016 - 11:04:16	HARP 20 OZ	MAIN	HARP	1	19.00	2	✓ 10/06/2016 - 11:03:09	MAIN	COORS	0	2	2.36	1
✓ 10/06/2016 - 11:04:37	STELLA 12 OZ	MAIN	STELLA	1	11.00	3	✓ 10/06/2016 - 11:04:00	MAIN	HARP	0	4	19.47	2
✓ 10/06/2016 - 11:04:37	STELLA 12 OZ	MAIN	STELLA	1	11.00	3	✓ 10/06/2016 - 11:05:05	MAIN	STELLA	0	3	22.60	3
✓ 10/06/2016 - 11:05:34	BUD 20 OZ	MAIN	BUD	1	19.00	4	✓ 10/06/2016 - 11:06:32	MAIN	BUD	0	1	56.89	4
✓ 10/06/2016 - 11:05:34	BUD 20 OZ	MAIN	BUD	1	19.00	4	✓ 10/06/2016 - 11:07:17	MAIN	HARP	0	4	11.07	5
✓ 10/06/2016 - 11:05:34	BUD 20 OZ	MAIN	BUD	1	19.00	4	✓ 10/06/2016 - 11:07:30	MAIN	HARP	0	4	19.26	6
✓ 10/06/2016 - 11:07:38	HARP 12 OZ	MAIN	HARP	1	11.00	5	? 10/06/2016 - 11:08:44	MAIN	HARP	0	4	18.94	
✓ 10/06/2016 - 11:07:38	HARP 20 OZ	MAIN	HARP	1	19.00	6	✓ 10/06/2016 - 11:09:17	MAIN	BUD	0	1	18.13	7
✓ 10/06/2016 - 11:09:24	BUD 20 OZ	MAIN	BUD	1	19.00	7							

Reconciled Result

Bar	Produ...	Tot. Reg.	Qty. Reg.	Tot. Served	Var.	%Loss	\$Sale	\$Cost	\$Owed	%Cost
MAIN	COORS	1	19.00	18.23	-0.77	-4.22	7.00	1.38	-0.35	19.69
MAIN	HARP	3	49.00	68.74	19.74	28.72	25.50	8.64	13.42	33.89
MAIN	STELLA	2	22.00	22.60	0.60	2.65	13.00	2.58	0.36	19.87
MAIN	BUD	4	76.00	75.02	-0.98	-1.31	28.00	5.67	-0.45	20.26

Unknown/Unused PLU/Log

Print Selected Bar

Products Tracking

Remove Selected Item

STELLA MAIN Discrepancy: 0.60

Served 22.60

Registered 22.00

Total Variance = 18.59, Total \$Owed = 12.98

Clear Log

Close

Part No.: 50-750

You can lose draft beer two ways:

1. Over-poured or spilled down the drain
2. Glasses served for which you do not get paid

Reasons and causes may vary but always fall in one of these two categories. The first one costs you the wasted beer and the second, costs you the beer in the glass served and a profitable sales income. This shrinkage directly affects your business profitability and can be prevented if you measure the beer served by your staff during their shift and compare with the beers sold from the POS report. The software reports will help you differentiate waste and over pour from beer glasses served that were not ordered in your POS. With this information, you can work with your staff to resolve the issue at hand to increase profit.

Real-time software

Draft Manager Live is a Windows software. The Auper metering system is connected directly by cable (network or serial) to your PC. When the beer tap is closed, a few seconds later, the beer served is recorded with the time and quantity served.

The software also includes a revolutionary POS interface that works with all Windows based POS systems and some IOS or Android based POS systems. As with the beer, the POS link is a direct network link between the POS and software. A beer glass ordered in the POS system will be recorded instantaneously and compared with the ones that are served in seconds.

Operation

On one side of the screen, the beers served are recorded and on the other side the orders for those same beers are recorded. POS draft beer menu items are given target, minimum and maximum quantities. The beer quantities served matching the POS orders will be given a corresponding transaction number.

A beer glass served that could not be matched with any POS order (and vice-versa) will be reported by email at the end of the shift indicating the time it was served at. The time stamps are invaluable when reviewing events with your video surveillance system. All served and POS transaction logs are available in HTML files easily read and printed with a web browser.

Analysing your results

The data is stored on your hard disk. The served logs and POS logs are time stamped and grouped by shift. Should you see an email report that requires more scrutiny, the logs for any given shift can be reviewed using the Log viewer. You will be able to sort the served and POS logs by brand and time and rapidly find what caused the discrepancy between the served data and POS data. You will immediately see if the difference was caused by beer glasses not ordered in the POS or, if beer was wasted, over poured or if you need to readjust your targets for the glass sizes.

The log viewer is a powerful management tool that will help you set and maintain a higher standard of performance from your staff at serving beer and ringing sales.

DRAFT MANAGER LIVE EMAIL REPORT

Draft Manager Live Report

Date: 2017/3/6

Time: 18:09

Location: demo

Timed out/Unprocessed Served Items List

Date/Time	Bar	Product	Sys.	Line	Qty. Served	T#
? 03/06/2017 - 18:01:43	MAIN	BUD	0	1	11.62	

Summary List

Bar	Product	Tot. Unit Reg.	Tot. Qty. Reg.	Tot. Qty. Served	Variance	\$ Owed
MAIN	BUD	2	30.00	41.82	11.82	5.44
MAIN	COORS	6	106.00	108.08	2.08	0.96
Total	N/A	8	136.00	149.90	13.90	6.39

Total by Bar

Bar Name	Tot. Registered	Tot. Served	Tot. Var	Tot. \$ Owed
MAIN	136.00	149.90	13.90	6.39
Total	136.00	149.90	13.90	6.39

This email was sent by: Draft Manager Live (C)

Please do not reply. For more information on our products visit us at www.auper.com

Copyright (C) 2017 AUPER ELECTRONIC CONTROLS INC. All rights reserved.

DRAFT MANAGER LIVE HTML LOGS TO REVIEW EVENTS

3/7/2017

Served Products Report

Served Products Report

Date: 2017/3/6

Time: 11:00:31

Date/Time	Bar	Product	Sys.	Line	Qty. Served	T#
\$ 03/06/2017 - 17:58:06	MAIN	BUD	0	1	30.20	1
\$ 03/06/2017 - 18:00:29	MAIN	COORS	0	2	10.26	2
? 03/06/2017 - 18:01:43	MAIN	BUD	0	1	11.62	
\$ 03/06/2017 - 18:02:21	MAIN	COORS	0	2	19.35	3
\$ 03/06/2017 - 18:02:51	MAIN	COORS	0	2	19.47	4
\$ 03/06/2017 - 18:08:28	MAIN	COORS	0	2	59.00	5

3/7/2017

Registered Products Report

Registered Products Report

Date: 2017/3/6

Time: 11:00:31

Date/Time	PLU	Bar	Product	Unit	Qty. Reg.	T#
\$ 03/06/2017 - 17:56:33	BUD 12 OZ	MAIN	BUD	1	11.00	1
\$ 03/06/2017 - 17:56:33	BUD 20 OZ	MAIN	BUD	1	19.00	1
\$ 03/06/2017 - 18:00:44	COORS LITE 12 OZ	MAIN	COORS	1	11.00	2
\$ 03/06/2017 - 18:01:22	COORS LITE 20 OZ	MAIN	COORS	1	19.00	3
\$ 03/06/2017 - 18:01:22	COORS LITE 20 OZ	MAIN	COORS	1	19.00	4
\$ 03/06/2017 - 18:08:46	COORS LITE 20 OZ	MAIN	COORS	1	19.00	5
\$ 03/06/2017 - 18:08:46	COORS LITE 20 OZ	MAIN	COORS	1	19.00	5
\$ 03/06/2017 - 18:08:46	COORS LITE 20 OZ	MAIN	COORS	1	19.00	5

ECLIPSE 4250 IE BRAND ID LIQUOR/WINE CONTROL SYSTEM

Introduction

- A regular free-pour spout serves liquor at 10 ml per second
- It takes 3 seconds to serve a 30 ml shot (1 ounce)
- Over-pouring this shot by a ½ second = 16.6 % more
- 16.6 % X 12 bottles = 2 bottles

If you are looking to keep your liquor cost down, bartenders should pre-measure every shot served using a shot glass or using a liquor control system. A shot served for which you do not get paid increases your liquor costs and costs you some very profitable income. An Eclipse liquor control system will portion control and register every shot served in one motion.

The Eclipse 4250 is equipped with a network adapter. You can connect it directly to your computer network and save on expensive cables. The network connection makes it easy to program and support the liquor system using the Liquor manager software by remote.

Underbar activator ring box:

Auper liquor systems come with an activator ring box to mount under the bar. It has a 1M cable to help you position the ring in the very best place for the bartenders. The activator ring is also equipped with a connector. It is easy to remove to replace should the need arise in the future.

SPECIFICATIONS:

- Up to 256 liquor brands or wine by the glass
- Four programmable shot size per brand
- Conventional serial POS interface protocols are embedded (Auper, Berg generic, Berg basic, Micros NALDS and ILDS)
- Revolutionary Liquor Manager Live interface works with many POS
- Can print a usage report with amount owed to a serial printer
- More power to open pourers installed on liqueurs
- Purer unblocking device integrated with the ring
- Reduced size to save valuable under bar space
- Ring equipped with a connector to facilitate replacement by user
- Sturdy ring support made of aluminum and plastic
- Programmable by software
- On-line support available





- **Power :** 12 volts DC @ 2 Amps
- **Communication :**
 - Network (115,2 KBPS)
 - RS-232 (d-sub 9 F null modem d 2400 BPS to 115,2 KBPS)
 - RS-422 (RJ11 2400 BPS to 115,2 KBPS)
- **Material:** Anodized aluminium
- **Dimensions :** 8.9 L X 4.3 P X 2.3 H (226 L X 109 P x 58 H)

Operation

1. Autonomous with serial printer resetting the counters with the ibutton key (up to 6 keys).
2. Serial interface with POS systems and cash registers that support Berg generic, Berg basic, Micros NALDS or Micros ILDS protocols.
3. Liquor Manager Live interface can group several Eclipse systems and POS terminal by bar.



ECLIPSE 4250 IE

Part No : 82-4250-K

- Eclipse 4250 IE system
- RFID ring
- Robust plastic and steel ring support
- 24 volts DC power supply
- 2 ibutton manager keys
- Software to program the system by serial or network. Live interface is purchased separately.



82-R-4250 Regular 10 ml/sec programmable alcohol pourer

82-B-4250 25 ml/sec programmable wine by the glass pourer



82-306 Replacement RFID ring with connector



ECLIPSE 784 S3 LIQUOR/WINE CONTROL SYSTEM

Introduction

The Eclipse 784 S3 is a bar control system using standard 7 price tiers coded pourers commonly used on the market.

The Eclipse 784 S3 uses shift button keys to lock the system unless a key is applied to identify one of three price levels (shift) or the bartender using it. A magnetic button key option is available to automatically lock the system when the key is removed.

The Eclipse 784 is equipped with a network adapter. You can connect it directly to your computer network and save on expensive cables. The network connection makes it easy to program and support the liquor system using the Liquor manager software by remote.

Underbar activator ring box:

Auper liquor systems come with an activator ring box to mount under the bar. It has a 1M cable to help you position the ring in the very best place for the bartenders. The activator ring is also equipped with a connector. It is easy to remove to replace should the need arise in the future.

SPECIFICATIONS:

- Up to 7 price groups (brands are grouped by selling price)
- Up to three price levels with shift keys
- Four programmable shot size for each pourer.
- Serial POS/cash register interface protocols Embedded (Berg Generic, Berg Basic, Micros NALDS etc...)
- Liquor Manager Live interface works with most POS
- Can print a usage report with amount owed to a serial printer
- More power to open pourers installed on liqueurs
- Pourer unblocking device integrated with the ring
- Reduced size to save valuable bar space
- Ring equipped with a connector to facilitate replacement by user
- Robust ring support made of steel and plastic
- On-line support available with software
- **Power** : 12 volts DC - 2 Amps



- **Communication :**
 - TCP/IP network adapter (115 Kbyte/sec)
 - RS-232 (d-sub 9 F null modem 2400 BPS to 115K)
 - RS-422 (RJ11 2400 BPS to 115K)
- **Material:** Anodized aluminum
- **Dimensions :** 8.9 L X 4.3 P X 2.3 H (226 L X 109 P x 58 H)



Operation

- Stand alone with serial printer resetting the counters with the manager ibutton keys
- Serial interface with POS
- Network Liquor Manager Live interface can group several Eclipse systems and POS terminal by bar.

82-784-S3K Eclipse 784 S3

- Eclipse 784 S3
- Coded ring with connector
- Ring support
- 12 VDC 2 Amps power supply
- 2 ibutton manager keys
- 3 ibutton shift/server keys
- Aluminum Under bar support



82-R-X 10 ml/sec coded pourers for alcohol (No. 1 to 7)



82-B-X 25 ml/sec coded pourers for wine (No. 1 or 3 only)



82-305-C Replacement coded ring with connector



ECLIPSE SYSTEMS ACCESSOIRES

82-045 Fruit fly basket

Mounts directly on the ball valve to prevent fruit flies from getting inside the bottle.



80-007 Air tight soft pourer covers

Stops air flow that will dry up the pourers and makes them harder to open and close. Recommended on liqueurs to dramatically reduce cleaning and prevent dispensing problems.



82-TE-X Elevated pourer option for very large bottlenecks

Use on Patron and other brands with very large bottlenecks. Includes a polypro and lexan pourer extension and a very large cork.



82-030 Shrink seals for very large bottlenecks
Pack of 100



82-025-X **pre-formed shrink seals for regular pourers**
 Pack of 1000



80-825 **Magnetic pourer insertion and cleaning tool**
 Use to easily push pourers inside new bottles without spills and to clean your pourers (see video). Can also be used to verify the proper operation of pourers if needed.



82-750-R **Regular size replacement poly-corks**
 (Bag of 10)



82-750-O **Large size replacement poly-corks**
 (Bag of 10)

82-700-H **Regular replacement breather tubes**
 (Bag of 10)



82-700-W **Wine by the glass replacement breather tubes**
 (Each)



82-325 **Activator ring holder**
 Rigid aluminum support with plastic holder to prevent abrasion and wear on the ring.



82-340 **Activator ring underbar box with 1M cable**



82-605 **Regular replacement ibutton key**
 (Manager, user or period key)
 Specify the color of the FOB when ordering.



LIQUOR MANAGER LIVE – REAL-TIME LIQUOR CONTROL AND POS INTERFACE SYSTEM

Part No: 80-725

Real-Time Interface

Settings Utilities Hide Main Window Show Main Window

Microsoft XPS Document Writer

September 6, Current Shift Number: 1
15:23:41 Next Shift Starting Time: 10:00 (1)

Log File: 130906_1000_R1.txt Log File: 130906_1000_S1.txt

POS Registered Products							Served Products								
Date/Time	PLU	Bar	Product	Size	Unit	T#	Date/Time	Product	Bar	Sys.	Pourer	Size	Qty	\$ Owed	T#
✓ 09/06/2013 - 15:14:14	BOMBAY	Main bar	BOMSAPHIRE	S	1	2	✓ 09/06/2013 - 15:13:32	BAC BLACK	Main bar	0	16	S	1.50	7.00	1
✓ 09/06/2013 - 15:14:14	A5 MARTINI	Main bar	CINZAN WHT	L	1	5	✓ 09/06/2013 - 15:14:21	BOMSAPHIRE	Main bar	0	34	S	1.50	8.75	2
✓ 09/06/2013 - 15:14:14	A5 MARTINI	Main bar	CINZAN WHT	L	1	4	✓ 09/06/2013 - 15:14:26	BOMSAPHIRE	Main bar	0	34	S	1.50	8.75	3
F 09/06/2013 - 15:15:20	B-52	Main bar					✓ 09/06/2013 - 15:14:36	CINZAN WHT	Main bar	0	57	L	0.25	1.50	4
✓			BAILEYS	R	1	11	✓ 09/06/2013 - 15:14:39	CINZAN WHT	Main bar	0	57	L	0.25	1.50	5
✓			GR MARNIER	R	1	14	✓ 09/06/2013 - 15:15:35	KAHLUA	Main bar	0	113	R	0.50	2.50	6
✓			KAHLUA	R	1	8	✓ 09/06/2013 - 15:15:38	KAHLUA	Main bar	0	113	R	0.50	2.50	7
F 09/06/2013 - 15:15:20	B-52	Main bar					✓ 09/06/2013 - 15:15:41	KAHLUA	Main bar	0	113	R	0.50	2.50	8
✓			BAILEYS	R	1	10	✓ 09/06/2013 - 15:16:07	BAILEYS	Main bar	0	23	R	0.50	3.75	9
✓			GR MARNIER	R	1	13	✓ 09/06/2013 - 15:16:12	BAILEYS	Main bar	0	23	R	0.50	3.75	10
✓			KAHLUA	R	1	7	✓ 09/06/2013 - 15:16:15	BAILEYS	Main bar	0	23	R	0.50	3.75	11
F 09/06/2013 - 15:15:20	B-52	Main bar					✓ 09/06/2013 - 15:16:27	GR MARNIER	Main bar	0	91	R	0.50	3.00	12
✓			BAILEYS	R	1	9	✓ 09/06/2013 - 15:16:30	GR MARNIER	Main bar	0	91	R	0.50	3.00	13
✓			GR MARNIER	R	1	12	✓ 09/06/2013 - 15:16:33	GR MARNIER	Main bar	0	91	R	0.50	3.00	14
✓			KAHLUA	R	1	6									

Summary Result

Product	Bar	S Reg.	S Served	R Reg.	R Served	L Reg.	L Served	SP Reg.	SP Served	Tot. Reg.	Tot. Served	Qty. Served	Tot Var.	S Var.	R Var.
BAC BLACK	Main bar	1	1	0	0	0	0	0	0	1	1	1.50	0	0	0
BOMSAPHIRE	Main bar	2	2	0	0	0	0	0	0	2	2	3.00	0	0	0
CINZAN WHT	Main bar	0	0	0	0	2	2	0	0	2	2	0.50	0	0	0
BAILEYS	Main bar	0	0	3	3	0	0	0	0	3	3	1.50	0	0	0
GR MARNIER	Main bar	0	0	3	3	0	0	0	0	3	3	1.50	0	0	0
KAHLUA	Main bar	0	0	3	3	0	0	0	0	3	3	1.50	0	0	0

Unknown PLUs
1 AV_COKE DIETE
1 ZEST

Print Selected Bar Clear Unknown PLUs

Main bar
BAILEYS
\$ Owed = 0.00

S 0/0
R 3/3
L 0/0
SP 0/0

ON/OFF
Close

The Liquor manager Live software will interface your Eclipse liquor system(s) with most POS system and cash registers in real-time. The liquor systems and POS stations are grouped by station or bar name on the reports. Every shot served is recorded with the time and price and matched with the drinks ordered on the POS system Live.

All drinks served and ordered that match are given a corresponding transaction number with a blue check mark. Drinks served or rung-in the POS that could not be matched will be reported with the price difference at the end of the shift by email.



The system can be set to force bartenders to ring in their orders first. Only the products and pour sizes programmed in the drink recipe database will be allowed to be served preventing errors and unregistered sales.

You can print a current status report on a TCP/IP bar printer from the Eclipse 4250 (option not available on Eclipse 784). The time stamps also provide guidance when reviewing events with your video surveillance system. All served and POS transaction logs are available in XPS files easily read and printed.

Liquor Manager Live is fair for both management and the employees and will help you set and maintains a higher standard of performance from your staff at serving liquor and ringing sales.

Liquor Manage Live Report

Date: 2016/9/30
 Time: 15:56
 Location: demo

POS Registered Products

Date/Time	PLU	Bar	Product	Size	Unit	T#
✓ 09/30/2016 - 15:51:28	Jack Daniels	Main bar	JACK DANIELS	P1	1	1
✓ 09/30/2016 - 15:51:28	Merlot 5 Oz.	Main bar	MERLOT	P1	1	2
✓ 09/30/2016 - 15:52:14	Vodka Craneberry	Main bar	SMIRNOFF	P1	1	3
✓ 09/30/2016 - 15:52:14	Vodka Craneberry	Main bar	SMIRNOFF	P1	1	4
✓ 09/30/2016 - 15:52:51	Ketel One	Main bar	KETTLE 1	P1	1	5
✓ 09/30/2016 - 15:52:51	AS MARTINI	Main bar	MARTINIWHT	P1	1	6
✓ 09/30/2016 - 15:53:17	GLENFIDDICH	Main bar	GLFIDDICH	P1	1	8
✓ 09/30/2016 - 15:53:17	Merlot 5 Oz.	Main bar	MERLOT	P1	1	7
✓ 09/30/2016 - 15:55:40	Merlot 5 Oz.	Main bar	MERLOT	P1	1	9

Served Products

Date/Time	Product	Bar	Sys.	Pourer	Size	Qty	\$ Owed	T#
✓ 09/30/2016 - 15:51:35	JACK DANIELS	Main bar	0	104	P1	1.00	5.75	1
✓ 09/30/2016 - 15:51:45	MERLOT	Main bar	0	231	P1	1.00	5.75	2
✓ 09/30/2016 - 15:51:57	SMIRNOFF	Main bar	0	189	P1	1.00	4.00	4
✓ 09/30/2016 - 15:52:02	SMIRNOFF	Main bar	0	189	P1	1.00	4.00	3
✓ 09/30/2016 - 15:52:27	KETTLE 1	Main bar	0	114	P1	1.00	5.75	5
✓ 09/30/2016 - 15:52:35	MARTINIWHT	Main bar	0	127	P1	1.00	5.75	6
✓ 09/30/2016 - 15:53:21	MERLOT	Main bar	0	231	P1	1.00	5.75	7
✓ 09/30/2016 - 15:53:25	MERLOT	Main bar	0	231	P1	1.00	5.75	9
! 09/30/2016 - 15:53:35	GLENLIVET	Main bar	0	86	P1	1.00	5.75	
✓ 09/30/2016 - 15:55:23	GLFIDDICH	Main bar	0	86	P1	1.00	5.75	8

Bar	Product	P1 Reg.	P1 Ser.	P2 Reg.	P2 Ser.	P3 Reg.	P3 Ser.	P4 Reg.	P4 Ser.	Tot. Registered	Tot. Served	Qty. Served	Tot. Var.	P1 Var.	P2 Var.	P3 Var.	P4 Var.	\$ Owed
Main bar	JACK DANIELS	1	1	0	0	0	0	0	0	1	1	1.00	0	0	0	0	0	0.00
Main bar	MERLOT	3	3	0	0	0	0	0	0	3	3	3.00	0	0	0	0	0	0.00
Main bar	SMIRNOFF	2	2	0	0	0	0	0	0	2	2	2.00	0	0	0	0	0	0.00
Main bar	KETTLE 1	1	1	0	0	0	0	0	0	1	1	1.00	0	0	0	0	0	0.00
Main bar	MARTINIWHT	1	1	0	0	0	0	0	0	1	1	1.00	0	0	0	0	0	0.00
Main bar	GLFIDDICH	1	1	0	0	0	0	0	0	1	1	1.00	0	0	0	0	0	0.00
Main bar	GLENLIVET	0	1	0	0	0	0	0	0	0	1	1.00	1	-1	0	0	0	5.75
Total	N/A	9	10	0	0	0	0	0	0	9	10	10.00	1	-1	0	0	0	5.75

Total by Bar

Bar Name	Tot. Registered	Tot. Served	Tot. Var	Tot. \$ Owed
Main bar	9	10	1	5.75
Total	9	10	1	5.75

SERIAL AND NETWORK CONNECTIONS

AP821 – RS-422 8 PORT STACKABLE HUB

Part No: 70-060

Auper control systems are equipped with a RS-422 port. Using the AP821 hub, you can connect up to 8 Auper systems to one RS-232 port such as a serial printer or serial computer port. Hubs can be connected to each other to add more ports.

RS-422 cables are UTP 2-pair Cat 5 cables for distances exceeding 30ft (10 m) or simple flat modular cable for short distances. Cables are terminated with RJ11 connectors and must provide an inversion.

The RS-232 port can be connected to a PC using a COM port, a USB adapter or to an Ethernet server. Auper software can connect to all the above.



70-040 Inverted RS-422 modular cable 10 ft/3M

Use to connect your Auper system to an AP821 hub. Cable should not exceed 30 ft.



70-042-X UTP Cat 5 2-pair inverted cable (X= No of meters)

Use to connect Auper system to AP821 hub for distances up to 1000 M.



70-010 RS-232 null modem cable 10 ft/3m

Use to connect any RS-232 port of an Auper system to a computer.



70-080 USB/RS-232 converter

Use to convert a RS-232 Null modem cable to USB for plugging into a PC. Drivers must be installed.



Wiz1000 External Ethernet converter

Use the Wiz 1000 to connect any Auper device using the RS-232 null modem port to a computer network. Auper software are equipped with a compatible server to communicate with Auper equipment using the computer network. This converter can save time and expensive cable installation as well as connect Auper devices that are installed in multiple bars or buildings linked by network.



NOTES: