

4FM

Real time draught beer and beverages metering system

You can connect up to four Auper flow meters per 4FM system. Each flow meter is wired to the 4FM that registers the amount of product dispensed. The 4FM can be programmed to measure ounces, liters, glasses or any other measuring unit of your choice. It is equipped with a power failure counter to indicate to management if the system was disconnected. In case of a power failure, the counters are saved in a flash memory. In "Run" mode, the counters can be cleared using the key at the end of each period.

Auper flow meters (sold separately) come with a 25 ft (7.6 M) cable ready to connect to the junction box supplied with the 4FM. There is no crimping or multiple pair cable installation. All that comes out of the keg room is a regular Cat 5 network cable to link the flow meters to the 4FM. The network cable can be up to 300 M long. The 4FM system is supplied with a 25 ft (7.6 M) network cable. Longer cables can be ordered separately or made on site.

Serial ports

The 4FM is equipped with one serial port that can be set to either RS-232 or Rs-422. Use the RS-232 setting to connect the 4FM directly to a computer or printer when the cable is shorter than 100 ft (30 m) long. Use the RS-422 setting if the cable exceeds 30 m up to 1000 m (3000ft) or when connecting several systems to the same computer or printer using an AP821 hub. The Draft Manager software is not included and must be purchased separately.

Serial cable and printer

Order serial cable part number 70-100 to connect the 4FM to a computer or a serial printer. Long RS-422 twisted pair cable are available from the factory.



Specifications

Shipping weight: 1 lbs / 0.45 kg
Max flow meter cable length: 1000 ft / 300 m
Power: 12 volts AC 50-60 Hz @ 800 ma
Size: 6" W X 4.125" L X 2.25" H (152mm X 105mm X 57mm)

*



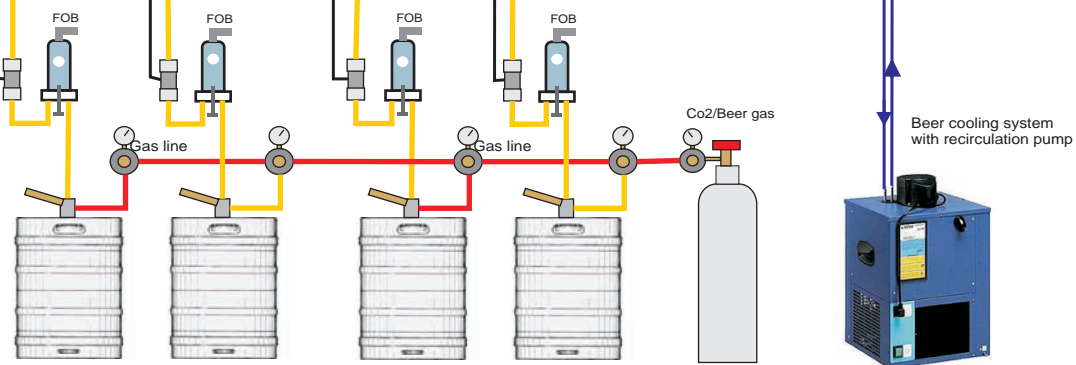


220V/110V to 12 volts power supply

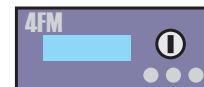
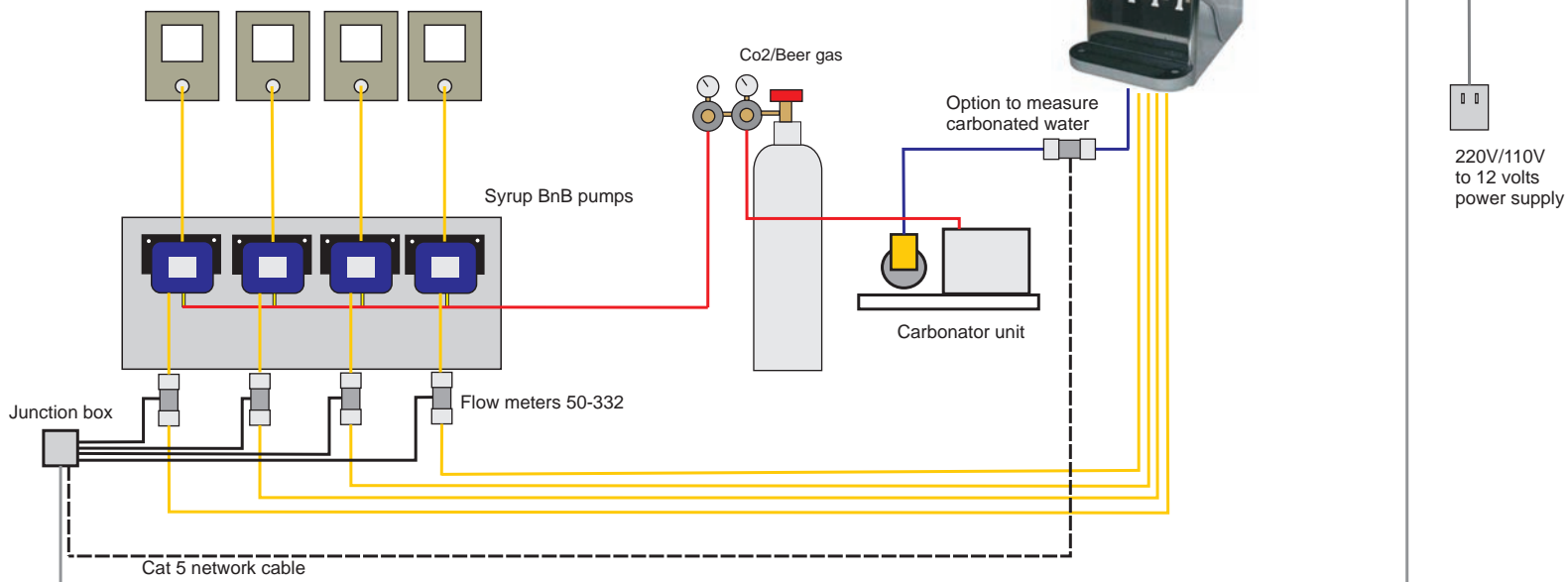
Cat 5 network cable

Auper Electronic Controls Inc 2011 4FM beer monitoring schematic

4FM Keg room junction box



Bag in a Box Syrup



220V/110V to 12 volts power supply

