

### Application

The AP821 is a RS-422 hub with eight inputs and one output. You can use the AP821 to connect up to eight Auper systems equipped with RS-422 ports to the same computer. The output of one hub can be connected to any of the inputs of another hub to increase the number of systems on the network.

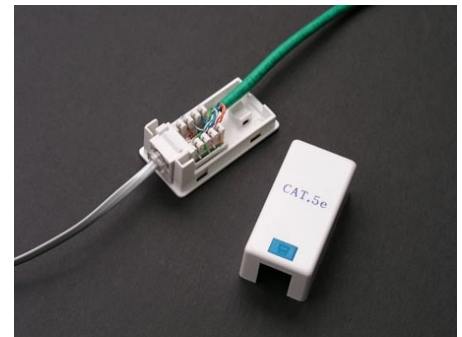
Since the Draft Manager and Liquor Manager software share the same serial port on a computer operating with Windows, you can combine 4FM, Harpagon, Harpagon i48, Imatic and Eclipse systems on the same RS-422 network.

Up to 100 Auper systems can be connected together using AP821 hubs. Use inverted RS-422 modular cables (part 70-040) to connect Auper systems to the hub or a hub to another hub.

Up to 1000 meters can separate two devices communicating using the RS-422 protocol. You can use conventional straight network cables terminated with RJ45 jacks as well. Connect the modular cables at both ends directly into the compatible RJ45 connectors (RJ11 into RJ45). With the AP821, if you use a network cable, you will need to use one straight modular cable (part 70-041) and one inverted modular cable (part 70-040) to keep the required inversion between both Auper devices.

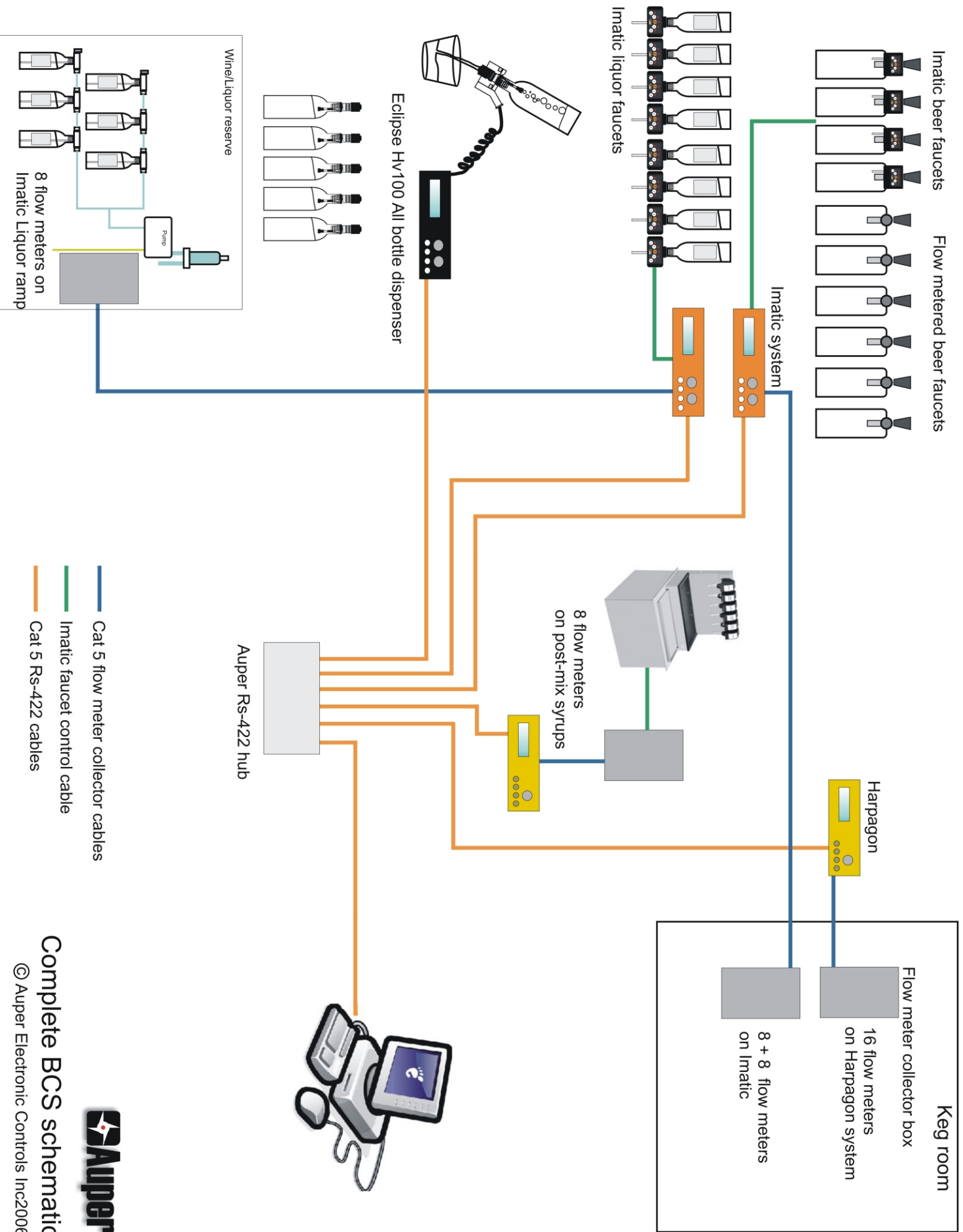
You will need to terminate your network using the AP421 RS-232 converter. Connect the output of your last AP821 to any of the four inputs of the AP421 using a straight modular cable (part 70-041).

Use a null modem 9-pin to 9 pin cable to connect the AP421 to your computer.



### Ordering information

Items	Description
70-060	AP821 hub with 110 volts- 9 volts AC transformer
70-060-E	AP821 hub with 220 volts- 9 volts AC transformer
70-051	AP421 converter with 110 volts - 9Volts AC transformer
70-051-E	AP421 converter with 220 volts - 9Volts AC transformer
70-041-X	Modular RS-422 cable (RJ11)straight 3 M (10 ft) X = Additional meters
70-095	RJ-45 connector with enclosure to terminate network cables
70-080	USB - RS-232 converter
70-085	Punch down tool to terminate RJ45 connectors
92-108-X	Cat 5. Network cable. Specify the number of meters.



# Complete BCS schematic

© Auper Electronic Controls Inc2006